



# DC MOTORS

| Ø 15.5 - 52mm  
0.1 - 198W

Transmotec sell a broad range of high quality DC motors in standard and customized configurations. Our motors are also available with gear heads, encoders and wire harnesses. Transmotec is the ideal supplier source especially to instrument and apparatus builders. We keep a high number of motors in stock for immediate delivery.

## Customizations include:

- ✓ Customized harness
- ✓ Shaft configuration
- ✓ Winding configuration
- ✓ And more...

## TABLE OF CONTENTS

Series	Part name	Diameter (mm)	Length (mm)	Nominal voltage (V)	Nominal speed (rpm)	Nominal torque (mNm)	Output (W)	Page
FF050S	FF-050S-13130-MV	15.5	26.9	2	3000	0.3	0.1	<a href="#">1</a>
FF050S	FF-050S-11170-MV	15.5	26.9	7	8500	0.7	0.6	<a href="#">1</a>
FF050S	FF-050S-09250-MV	15.5	26.9	8	6300	0.7	0.5	<a href="#">1</a>
FF050S	FF-050S-06350-MV	15.5	26.9	12	5544	0.7	0.4	<a href="#">1</a>
FF-180SH	FF-180SH-22100T-MV	20.4	32.1	3	4100	1.8	0.8	<a href="#">1</a>
FF-180SH	FF-180SH-12250T-MV	20.4	32.1	12	7000	1.8	1.3	<a href="#">1</a>
RF-310	RF-310CA-11420-MV	24.4	20.1	3	2000	0.5	0.1	<a href="#">2</a>
RF-310	RF-310TA-11400-MV	24.4	20.1	6	5800	0.8	0.5	<a href="#">2</a>
370C	370C-3055-N-CV	24.4	30.8	3	6600	2.3	1.6	<a href="#">3</a>
370C	370C-22170-N-CV	24.4	30.8	6	5200	2.5	1.3	<a href="#">3</a>
370C	370C-14350-N-CV	24.4	30.8	12	5100	2.7	1.4	<a href="#">3</a>
370C	370C-08700-N-CV	24.4	30.8	24	4800	2.5	1.2	<a href="#">3</a>
370S	370S-5028P-C	24.4	30.8	3.6	16200	8	14	<a href="#">3</a>
370S	370S-4530P-C	24.4	30.8	6	24000	7.7	19	<a href="#">3</a>
370S	370S-33 70P-CV	24.4	30.8	7.2	13700	5.9	8.4	<a href="#">3</a>
370S	370S-16235P-CV	24.4	30.8	15	7500	6.1	4.9	<a href="#">3</a>
RF-370	RF-370CH-14320-MV	24.4	30.8	6	2400	1.8	0.5	<a href="#">4</a>
RF-370	RF-370CH-12560-MV	24.4	30.8	12	3000	2	0.6	<a href="#">4</a>
RF-370	RF-370CH-15370-MV	24.4	30.8	12	4800	2.5	1.3	<a href="#">4</a>
RF-370	RF-370CH-10500-MV	24.4	30.8	24	6100	2.8	1.9	<a href="#">4</a>
M_3N	MD3N-3745-CVC	27.5	32.5	3.6	9900	5.4	5.7	<a href="#">5</a>
M_3N	MP3N-2495-CVC	27.5	32.5	6	8000	4.9	4.2	<a href="#">5</a>
M_3N	MS3N-2880-CVC	27.5	32.5	6	9900	5.6	5.9	<a href="#">5</a>
M_3N	MP3N-3260-CVC	27.5	32.5	6	12200	9.6	12	<a href="#">5</a>
M_5N	MS5N-2365-CVC	27.5	32.5	12	12400	9.1	12	<a href="#">5</a>
M_5N	MP5N-08360-CVC	27.5	32.5	24	3500	3.2	1.2	<a href="#">5</a>
M_5N	MP5N-12190-CVC	27.5	32.5	24	7800	6	4.9	<a href="#">5</a>
M_3FN	MS3FN-18180-CVC	27.5	32.8	6	3700	3.5	1.4	<a href="#">6</a>
M_3FN	MS3FN-19145-CVC	27.5	32.8	6	4300	3.9	1.8	<a href="#">6</a>
M_3FN	MD3FN-3270-CVC	27.5	32.8	7.2	12200	7.4	9.3	<a href="#">6</a>
M_3FN	MP3FN-2885-CVC	27.5	32.5	9.6	12900	10.4	14	<a href="#">6</a>
M_5FN	MP5FN-2080-CVC	27.5	32.6	6	4000	4	1.7	<a href="#">6</a>
M_5FN	MP5FN-12185-CVC	27.5	32.6	12	3600	3.1	1.2	<a href="#">6</a>
M_5FN	MS5FN-16120-CVC	27.5	32.6	12	5800	4.7	2.9	<a href="#">6</a>
M_5FN	MS5FN-07420-CVC	27.5	32.6	24	3100	2.6	0.9	<a href="#">6</a>
M_5-AA	MD5-2554AS-AA-C	27.5	32.5	12	17000	7.2	13	<a href="#">7</a>
M_5-AA	MD5-2450AS-AA-C	27.5	32.5	12	17200	7.6	14	<a href="#">7</a>
M_5-AA	MD5-15120AS-AA-CV	27.5	32.5	24	15100	6.5	10	<a href="#">7</a>
M_5-AA	MD5-1980AS-AA-CV	27.5	32.5	24	22600	8.7	21	<a href="#">7</a>
M_5-BB	MD5-2445AS-BB-C	27.5	32.5	6	9300	4.4	4.2	<a href="#">7</a>

## TABLE OF CONTENTS

Series	Part name	Diameter (mm)	Length (mm)	Nominal voltage (V)	Nominal speed (rpm)	Nominal torque (mNm)	Output (W)	Page
M_5-BB	MD5-2554AS-BB-C	27.5	32.5	12	17000	7.2	13	<a href="#">7</a>
L_5-DD	LD5-3033AS-DD-C	27.5	37.8	12	19800	9.1	19	<a href="#">8</a>
L_3N	LP3N-18200-CVC	29	37.8	6	2400	2.8	0.7	<a href="#">9</a>
L_3N	LS3N-3558-CVC	29	37.8	6	8800	9.6	8.9	<a href="#">9</a>
L_3N	LS3N-2870-CVC	29	37.8	7.2	8400	9.2	8.3	<a href="#">9</a>
L_3N	LP3N-14350-CVC	29	37.8	12	2600	5.2	1.4	<a href="#">9</a>
L_5N	LP5N-2268-CVC	29	37.8	12	7100	9.1	6.9	<a href="#">9</a>
L_5N	LS5N-2073-CVC	29	37.8	12	7200	7.8	5.9	<a href="#">9</a>
L_5N	LS5N-2445-CC	29	37.8	12	12600	8.8	12	<a href="#">9</a>
L_5N	LS5N-14145-CVC	29	37.8	24	7500	6.4	5.1	<a href="#">9</a>
L_3FN	LD3FN-5015-CC	29	37.8	4	19900	13.2	28	<a href="#">10</a>
L_3FN	LS3FN-12300-CVC	29	37.8	9.6	2300	3	0.7	<a href="#">10</a>
L_3FN	LS3FN-14280-CVC	29	37.8	12	3400	4.1	1.5	<a href="#">10</a>
L_3FN	LD3FN-26110-CVC	29	37.8	18	12800	14.6	20	<a href="#">10</a>
L_5FN	LS5FN-3019-CVC	29	37.8	2.4	4900	4.4	2.3	<a href="#">10</a>
L_5FN	LS5FN-15145-CVC	29	37.8	12	3400	4.8	1.7	<a href="#">10</a>
L_5FN	LS5FN-3035-CC	29	37.8	12	14600	15.6	24	<a href="#">10</a>
L_5FN	LS5FN-16120-CVC	29	37.8	24	8200	8	7	<a href="#">10</a>
J_3	JD3-5520-CC	30	46.6	7.2	19500	18.7	38	<a href="#">11</a>
J_3	JD3-4532-CC	30	46.6	9.6	16800	23.9	39	<a href="#">11</a>
J_3	JD3-14260-CVC	30	46.6	12	2300	6.3	1.5	<a href="#">11</a>
J_3	JD3-24135-CVC	30	46.6	12	10661	15.7	18	<a href="#">11</a>
J_5	JD5-3723-CVC	30	46.6	6	7500	13.3	11	<a href="#">11</a>
J_5	JD5-2655-CVC	30	46.6	12	5900	12.1	7.5	<a href="#">11</a>
J_5	JD5-18115-CVC	30	46.6	24	6262	11	7.2	<a href="#">11</a>
J_3FN	JD5-14200-CVC	30	46.5	3.6	16340	11.1	19	<a href="#">12</a>
J_3FN	JD3FN-5518-CC	30	46.5	6	17600	20.5	38	<a href="#">12</a>
J_3FN	JD3FN-5025-CC	30	46.5	9.6	21800	22.6	52	<a href="#">12</a>
J_5FN	JD5FN-3230-CVC	30	46.5	6	5600	10.3	6.1	<a href="#">12</a>
J_5FN	JC5FN-2655-CVC	30	46.5	12	5700	14.8	8.9	<a href="#">12</a>
J_5FN	JD5FN-14180-CVC	30	46.5	24	3900	6.2	2.6	<a href="#">12</a>
J_5FN	JD5FN-2466-CVC	30	46.5	30	13900	17	25	<a href="#">12</a>
RF-500	RF-500TB-14415-MV	32	19.5	6	3000	1.5	0.5	<a href="#">13</a>
RF-500	RF-500TB-18280-MV	32	19.5	6	4400	2.2	1	<a href="#">13</a>
RF-500	RF-500TB-12560-MV	32	19.5	12	4600	1.8	0.9	<a href="#">13</a>
GR	GR-3548-CVC	32	29	2.4	5000	5.4	2.8	<a href="#">13</a>
GR	GR-24130-CVC	32	29	6	5100	5.3	2.9	<a href="#">13</a>
GR	GR-18260-CVC	32	29	12	5100	5.9	3.1	<a href="#">13</a>
GR	GR-12530-CVC	32	29	24	5000	6.1	3.2	<a href="#">13</a>
H_3SFN	HS3SFN-7523-CC	36	49.1	4.8	11600	23.9	29	<a href="#">14</a>

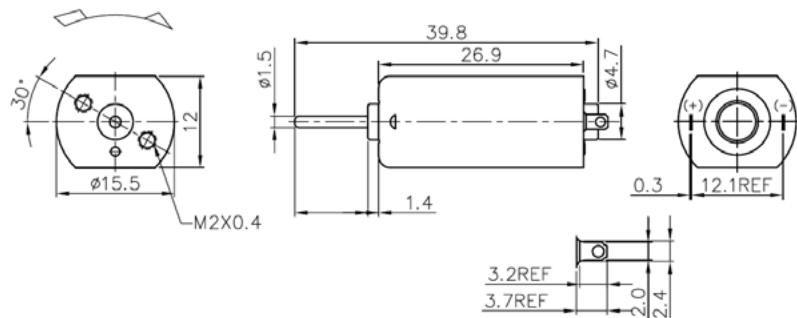
## TABLE OF CONTENTS

Series	Part name	Diameter (mm)	Length (mm)	Nominal voltage (V)	Nominal speed (rpm)	Nominal torque (mNm)	Output (W)	Page
H_3SFN	HD3SFN-6040-CC	36	49.1	6	7300	32	25	<a href="#">14</a>
H_3SFN	HS3SFN-22240-CVC	36	49.1	12	2600	12.3	3.3	<a href="#">14</a>
H_3SFN	HD3SFN-6035-CC	36	49.1	12	17200	37.3	67	<a href="#">14</a>
H_5FN	HS5FN-19130-CVC	36	49.1	12	2100	12.4	2.8	<a href="#">15</a>
H_5FN	HP5FN-3250-CVC	36	49.1	12	6200	21.5	14	<a href="#">15</a>
H_5FN	HD5FN-2485-CVC	36	49.1	24	7900	22.2	18	<a href="#">15</a>
H_5FN	HP5FN-2670-CVC	36	49.1	24	8600	30.5	28	<a href="#">15</a>
H_3SN	HS3SN-22240-CVC	36	50.1	12	2300	15.9	3.8	<a href="#">15</a>
H_3SN	HP3SN-26135-CVC	36	50.1	12	4400	16	7.5	<a href="#">15</a>
H_3SN	HS3SN-4070-CVC	36	50.1	12	9300	23	23	<a href="#">15</a>
H_3SN	HP3SN-5048-CVC	36	50.1	12	13800	30.6	44	<a href="#">15</a>
H_5N	HS5N-4525-CVC	36	50.1	6	6800	18.6	13	<a href="#">16</a>
H_5N	HP5N-20120-CVC	36	50.1	12	2300	12.7	3.2	<a href="#">16</a>
H_5N	HS5N-16200-CVC	36	50.1	24	3500	9.4	3.5	<a href="#">16</a>
H_5N	HP5N-20130-CVC	36	50.1	24	4600	15.8	7.7	<a href="#">16</a>
K_3N	KP3N-7521-CC	38	57.1	7.2	12700	38.2	51	<a href="#">16</a>
K_3N	KP3N-35110-CVC	38	57.1	12	3800	23.7	9.6	<a href="#">16</a>
K_3N	KS3N-30100-CVC	38	57.1	12	4300	23	11	<a href="#">16</a>
K_3N	KS3N-4553-CVC	38	57.1	12	8400	34.6	31	<a href="#">16</a>
K_3SFN	KD3SFN-8518-CC	39	57	6	12000	36.1	46	<a href="#">17</a>
K_3SFN	KS3SFN-7520F-CC	39	57	7.2	12300	41.5	54	<a href="#">17</a>
K_3SFN	KP3SFN-8020F-CC	39	57	7.2	12400	40.1	52	<a href="#">17</a>
K_3SFN	KV3SFN-7525F-CC	39	57	12	15800	57.3	95	<a href="#">17</a>
K_5N	KD5N-4525-CVC	38	57.1	6	4300	24.5	11	<a href="#">17</a>
K_5N	KP5N-3732-CVC	38	57.1	12	7200	20.3	15	<a href="#">17</a>
K_5N	KP5N-18150-CVC	38	57.1	24	3000	20.7	6.6	<a href="#">17</a>
K_5N	KS5N-18130-CVC	38	57.1	24	3300	15.3	5.4	<a href="#">17</a>
N_3SFN	ND3SFN-4570-CVC	38	65	12	5400	33.5	19	<a href="#">18</a>
N_3SFN	ND3SFN-4565-CVC	38	65	12	5800	36	22	<a href="#">18</a>
N_3SFN	NC3SFN-6035-CVC	38	65	12	10700	45.6	52	<a href="#">18</a>
N_3SFN	NC3SFN-7522-CC	38	65	12	17500	45.7	84	<a href="#">18</a>
N_5FN	NC5FN-3550-CVC	38	65	12	3700	30.7	12	<a href="#">18</a>
N_5FN	ND5FN-16190-CVC	38	65	24	2300	11.7	2.9	<a href="#">18</a>
N_5FN	ND5FN-3738-CVC	38	65	24	10900	44.3	51	<a href="#">18</a>
N_5FN	NC5FN-3545-CVC	38	65	36	14300	40.7	22	<a href="#">18</a>
K_5FN	KS5FN-2462-CVC	39	57	12	3100	13.9	4.6	<a href="#">19</a>
K_5FN	KC5FN-5021F-CC	39	57	24	20800	53.4	117	<a href="#">19</a>
K_5FN	KP5FN-22105-CVC	39	57	28	5200	23.5	13	<a href="#">19</a>
750	750-9013-C	42.4	59	6	16800	46.7	83	<a href="#">20</a>
750	750-32160-C	42.4	59	12	2600	37.9	11	<a href="#">20</a>

## TABLE OF CONTENTS

Series	Part name	Diameter (mm)	Length (mm)	Nominal voltage (V)	Nominal speed (rpm)	Nominal torque (mNm)	Output (W)	Page
750	750-4570-C	42.4	59	12	6300	51.9	35	<a href="#">20</a>
750	750-8028-C	42.4	59	12	15500	66	107	<a href="#">20</a>
755	755-8512F-C	42.4	59	9.6	14000	98.2	144	<a href="#">20</a>
755	755-5027F-C	42.4	59	12	8400	45.7	41	<a href="#">20</a>
755	755-3262-C	42.4	59	24	7400	43.3	34	<a href="#">20</a>
755	755-19175-C	42.4	59	36	3900	33.6	14	<a href="#">20</a>
770	770-4087-CC	45	66	12	3500	56.1	21	<a href="#">21</a>
770	770-7040-CC	45	66	12	8400	59.3	53	<a href="#">21</a>
770	770-8525F-CC	45	66	12	13500	80.3	114	<a href="#">21</a>
770	770-32165-CC	45	66	24	3900	52.9	22	<a href="#">21</a>
775	775-9008F-CC	45	66	7.2	12300	80	103	<a href="#">21</a>
775	775-9009F-C-CC	45	66	12	18000	102.6	194	<a href="#">21</a>
775	775-8013F-C-CC	45	66	18	18700	100.8	198	<a href="#">21</a>
775	775-5520F-CC	45	66	24	18400	94.3	182	<a href="#">21</a>
987	987-5025F-C	52	69	12	4000	83.5	35	<a href="#">22</a>
987	987-8012F-C	52	69	12	9000	113.2	107	<a href="#">22</a>
987	987-8010F-C	52	69	12	11100	87.5	102	<a href="#">22</a>
987	987-5524F-C	52	69	24	9700	110.2	112	<a href="#">22</a>

## FF-050S series / Ø 15.5mm / 0.1 - 0.6W



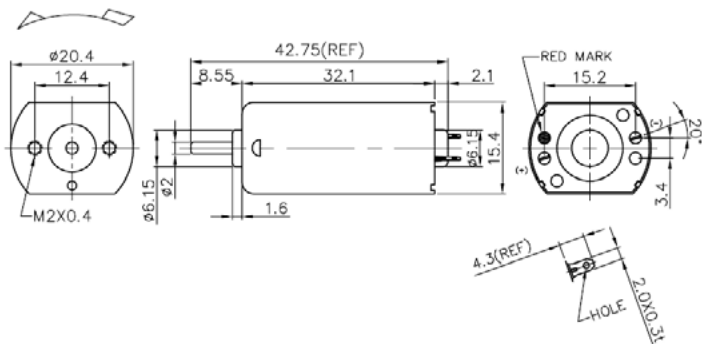
Model - [ ] - [ ]  
 Carbon brush = C      V = Varistor  
 Metal brush = M      C = Capacitor

### MOTOR DATA

Part name	FF-050S-13130-MV	FF-050S-11170-MV	FF-050S-09250-MV	FF-050S-06350-MV
Diameter (mm)	15.5	15.5	15.5	15.5
Length (mm)	26.9	26.9	26.9	26.9
Nominal voltage (V)	2	7	8	12
Nominal speed (rpm) *	3000	8500	6300	5544
Nominal torque (mNm) *	0.3	0.7	0.7	0.7
Nominal current (A)	0.1	0.2	0.1	0.1
No load speed (rpm)	3700	10300	7900	8000
No load current (A)	0.04	0.05	0.03	0.03
Stall torque (mNm)	1.7	4.5	3.4	2.6
Starting current (A)	0.5	0.8	0.4	0.4
Output (W)	0.1	0.6	0.4	0.4
Efficiency (%)	42	51	51	42
Operating temperature (°C)	-10..+60	-10..+60	-10..+60	-10..+60

(\* ) Nominal speed and nominal torque have a tolerance of ± 15%

## FF-180SH series / Ø 20.4mm / 0.8 - 1.3W

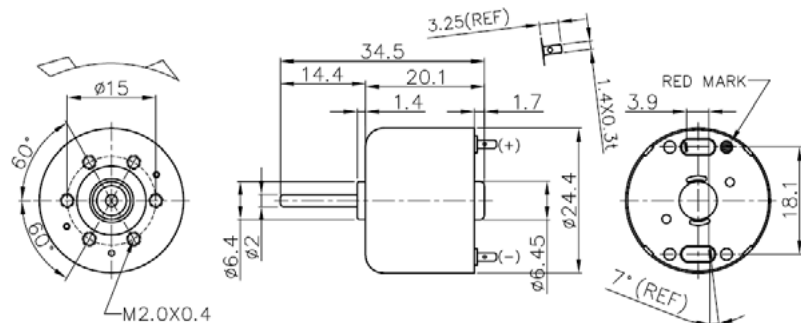


Model - [ ] - [ ]  
 Carbon brush = C      V = Varistor  
 Metal brush = M      C = Capacitor

### MOTOR DATA

Part name	FF-180SH-22100T-MV	FF-180SH-12250T-MV
Diameter (mm)	20.4	20.4
Length (mm)	32.1	32.1
Nominal voltage (V)	3	12
Nominal speed (rpm)	4100	7000
Nominal torque (mNm)	1.8	1.8
Nominal current (A)	0.4	0.2
No load speed (rpm)	5200	8000
No load current (A)	0.10	0.05
Stall torque (mNm)	9.7	12.1
Starting current (A)	1.9	1.0
Output (W)	0.8	1.3
Efficiency (%)	58	64
Operating temperature (°C)	-10..+60	-10..+60

(\* ) Nominal speed and nominal torque have a tolerance of ± 15%



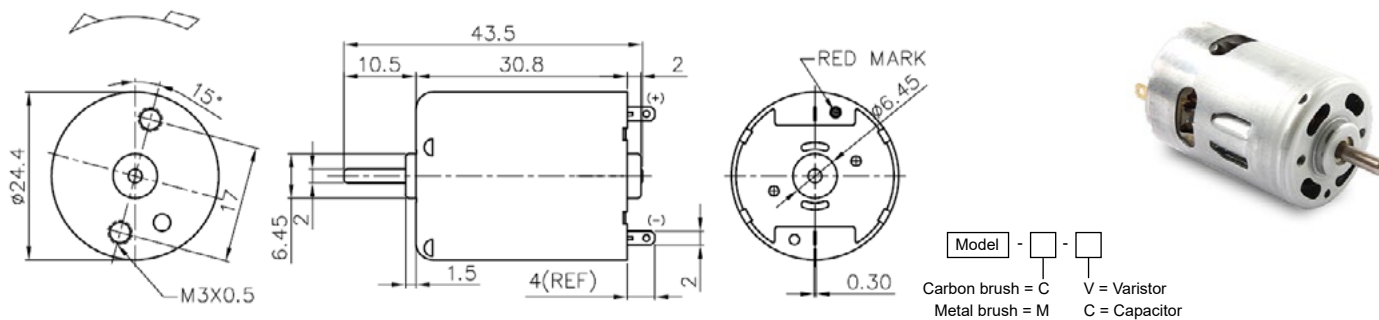
Model - [ ] - [ ]  
 Carbon brush = C      V = Varistor  
 Metal brush = M      C = Capacitor

**MOTOR DATA**

Part name	RF-310CA-11420-MV	RF-310TA-11400-MV
Diameter (mm)	24.4	24.4
Length (mm)	20.1	20.1
Nominal voltage (V)	3	6
Nominal speed (rpm) *	2000	5800
Nominal torque (mNm) *	0.5	0.8
Nominal current (A)	0.1	0.1
No load speed (rpm)	2700	7680
No load current (A)	0.03	0.04
Stall torque (mNm)	2.1	2.8
Starting current (A)	0.2	0.2
Output (W)	0.1	0.5
Efficiency (%)	52	57
Operating temperature (°C)	-10..+60	-10..+60

(\*) Nominal speed and nominal torque have a tolerance of ± 15%

## 370C series / Ø 24.4mm / 1.2 - 1.6W

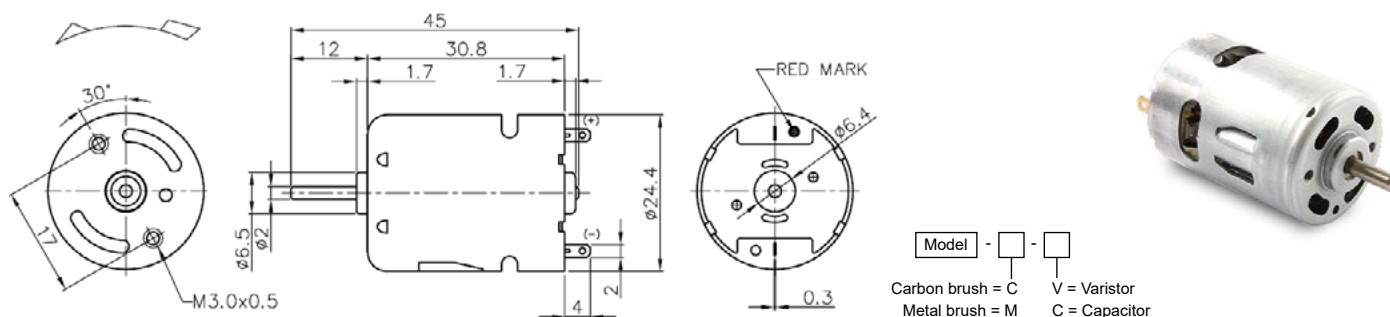


### MOTOR DATA

Part name	370C-3055-N-CV	370C-22170-N-CV	370C-14350-N-CV	370C-08700-N-CV
Diameter (mm)	24.4	24.4	24.4	24.4
Length (mm)	30.8	30.8	30.8	30.8
Nominal voltage (V)	3	6	12	24
Nominal speed (rpm) *	6600	5200	5100	4800
Nominal torque (mNm) *	2.3	2.5	2.7	2.5
Nominal current (A)	1.2	0.4	0.2	0.1
No load speed (rpm)	8000	6200	6200	6000
No load current (A)	0.30	0.10	0.06	0.05
Stall torque (mNm)	12.8	14.7	15.2	12.3
Starting current (A)	5.4	1.8	0.9	0.4
Output (W)	1.6	1.3	1.4	1.2
Efficiency (%)	46	62	62	57
Operating temperature (°C)	-10..+60	-10..+60	-10..+60	-10..+60

(\*) Nominal speed and nominal torque have a tolerance of  $\pm 15\%$

## 370S series / Ø 24.4mm / 4.9 - 19W

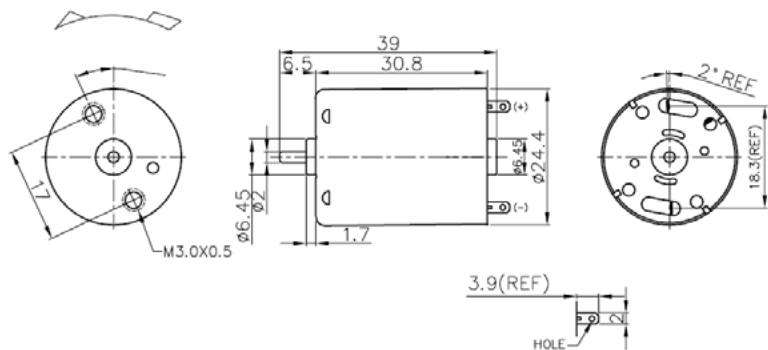


### MOTOR DATA

Part name	370S-5028P-C	370S-4530P-C	370S-16235P-CV
Diameter (mm)	24.4	24.4	24.4
Length (mm)	30.8	30.8	30.8
Nominal voltage (V)	3.6	6	15
Nominal speed (rpm) *	16200	24000	7500
Nominal torque (mNm) *	8.0	7.7	6.1
Nominal current (A)	5.8	5.5	0.5
No load speed (rpm)	19000	29000	9700
No load current (A)	1.00	0.80	0.10
Stall torque (mNm)	46.7	52.8	32.9
Starting current (A)	28.0	29.2	2.6
Output (W)	14	19	4.9
Efficiency (%)	66	59	62
Operating temperature (°C)	-10..+60	-10..+60	-10..+60

(\*) Nominal speed and nominal torque have a tolerance of  $\pm 15\%$



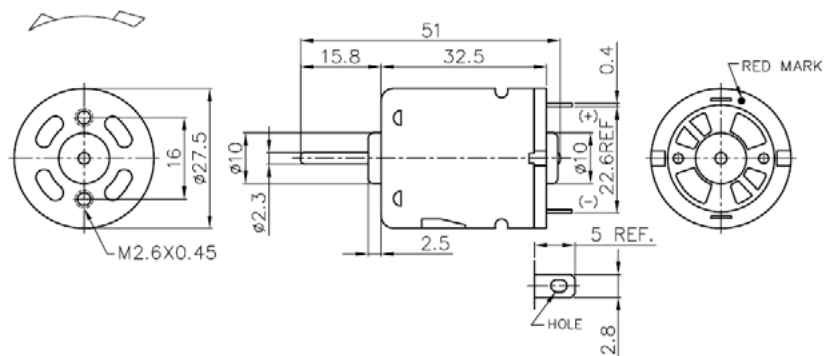


Model -  -   
 Carbon brush = C      V = Varistor  
 Metal brush = M      C = Capacitor

MOTOR DATA				
Part name	RF-370CH-14320-MV	RF-370CH-12560-MV	RF-370CH-15370-MV	RF-370CH-10500-MV
Diameter (mm)	24.4	24.4	24.4	24.4
Length (mm)	30.8	30.8	30.8	30.8
Nominal voltage (V)	6	12	12	24
Nominal speed (rpm) *	2400	3000	4800	6100
Nominal torque (mNm) *	1.8	2.0	2.5	2.8
Nominal current (A)	0.1	0.1	0.2	0.1
No load speed (rpm)	3200	3700	5600	8000
No load current (A)	0.03	0.01	0.02	0.02
Stall torque (mNm)	8.8	12.3	18.2	16.9
Starting current (A)	0.5	0.7	0.9	0.6
Output (W)	0.5	0.6	1.3	1.8
Efficiency (%)	58	62	70	60
Operating temperature (°C)	-10..+60	-10..+60	-10..+60	-10..+60

(\*) Nominal speed and nominal torque have a tolerance of ± 15%

## M\_3N series / Ø 27.5mm / 4.2 - 12W

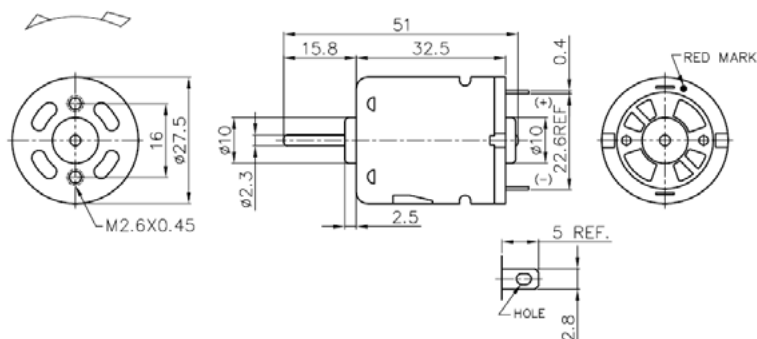


Model -  -   
 Carbon brush = C      V = Varistor  
 Metal brush = M      C = Capacitor

MOTOR DATA				
Part name	MD3N-3745-CVC	MP3N-2495-CVC	MS3N-2880-CVC	MP3N-3260-CVC
Diameter (mm)	27.5	27.5	27.5	27.5
Length (mm)	32.5	32.5	32.5	32.5
Nominal voltage (V)	3.6	6	6	6
Nominal speed (rpm) *	9900	8000	9900	12200
Nominal torque (mNm) *	5.4	4.9	5.6	9.6
Nominal current (A)	2.6	1.2	1.6	3.4
No load speed (rpm)	12500	9800	12000	15000
No load current (A)	0.80	0.30	0.35	0.55
Stall torque (mNm)	25.9	30.3	35.6	51.4
Starting current (A)	9.5	5.8	8.2	14.9
Output (W)	5.7	4.2	5.9	12
Efficiency (%)	61	60	64	62
Operating temperature (°C)	-10..+60	-10..+60	-10..+60	-10..+60

(\*) Nominal speed and nominal torque have a tolerance of ± 15%

## M\_5N series / Ø 27.5mm / 1.2 - 11W

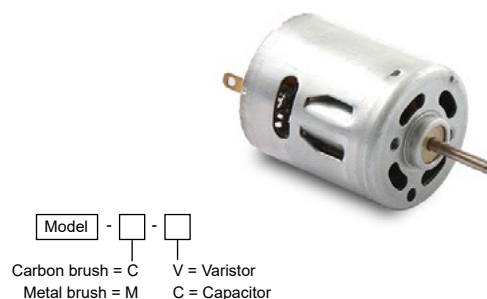
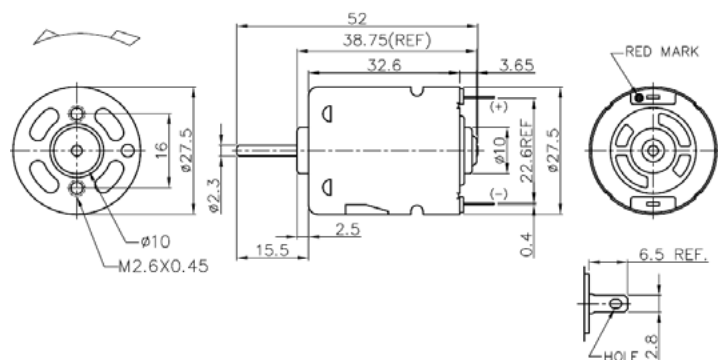


Model -  -   
 Carbon brush = C      V = Varistor  
 Metal brush = M      C = Capacitor

MOTOR DATA			
Part name	MS5N-2365-CVC	MP5N-08360-CVC	MP5N-12190-CVC
Diameter (mm)	27.5	27.5	27.5
Length (mm)	32.5	32.5	32.5
Nominal voltage (V)	12	24	24
Nominal speed (rpm) *	12400	3500	7800
Nominal torque (mNm) *	9.1	3.2	6.0
Nominal current (A)	1.7	0.1	0.4
No load speed (rpm)	16600	4800	10200
No load current (A)	0.40	0.05	0.10
Stall torque (mNm)	41.8	12.7	25.9
Starting current (A)	6.3	0.3	1.2
Output (W)	11	1.2	4.91
Efficiency (%)	58	42	59
Operating temperature (°C)	-10..+60	-10..+60	-10..+60

(\*) Nominal speed and nominal torque have a tolerance of ± 15%

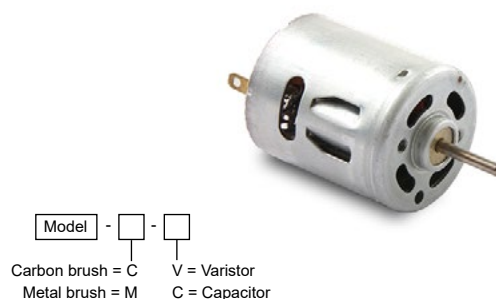
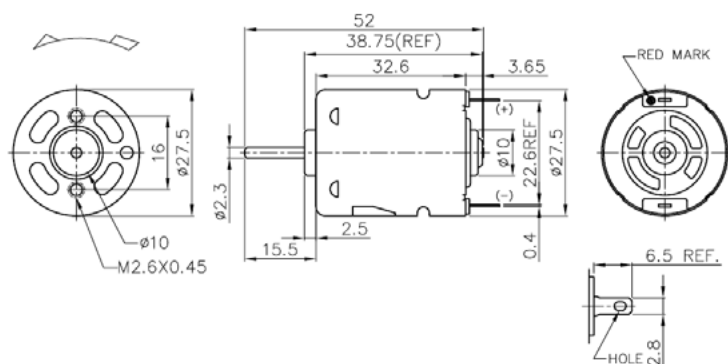
## M\_3FN series / Ø 27.5mm / 1.3 - 14W



MOTOR DATA				
Part name	MS3FN-18180-CVC	MS3FN-19145-CVC	MD3FN-3270-CVC	MP3FN-2885-CVC
Diameter (mm)	27.5	27.5	27.5	27.5
Length (mm)	32.6	32.6	32.6	32.6
Nominal voltage (V)	6	6	7.2	9.6
Nominal speed (rpm) *	3700	4300	12200	12900
Nominal torque (mNm) *	3.5	3.9	7.4	10.4
Nominal current (A)	0.4	0.6	2.1	2.4
No load speed (rpm)	4750	5900	14800	15700
No load current (A)	0.13	0.17	0.55	0.45
Stall torque (mNm)	17.0	16.9	43.1	58.8
Starting current (A)	1.6	2.0	10.4	11.1
Output (W)	1.3	1.8	9.3	14
Efficiency (%)	59	53	61	62
Operating temperature (°C)	-10..+60	-10..+60	-10..+60	-10..+60

(\* ) Nominal speed and nominal torque have a tolerance of  $\pm 15\%$

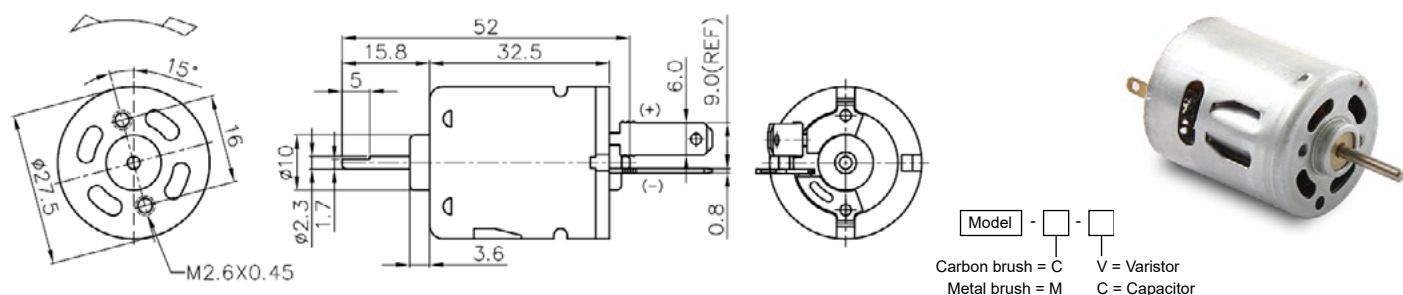
## M\_5FN series / Ø 27.5mm / 0.9 - 2.9W



MOTOR DATA				
Part name	MP5FN-2080-CVC	MP5FN-12185-CVC	MS5FN-16120-CVC	MS5FN-07420-CVC
Diameter (mm)	27.5	27.5	27.5	27.5
Length (mm)	32.6	32.6	32.6	32.6
Nominal voltage (V)	6	12	12	24
Nominal speed (rpm) *	4000	3600	5800	3100
Nominal torque (mNm) *	4.0	3.1	4.7	2.6
Nominal current (A)	0.5	0.2	0.5	0.1
No load speed (rpm)	5200	4800	7600	4300
No load current (A)	0.16	0.08	0.10	0.04
Stall torque (mNm)	19.8	14.3	23.0	10.1
Starting current (A)	2.1	0.7	1.7	0.2
Output (W)	1.7	1.2	2.9	0.9
Efficiency (%)	53	53	54	45
Operating temperature (°C)	-10..+60	-10..+60	-10..+60	-10..+60

(\* ) Nominal speed and nominal torque have a tolerance of  $\pm 15\%$

## M\_5-AA series / Ø 27.5mm / 10 - 21W

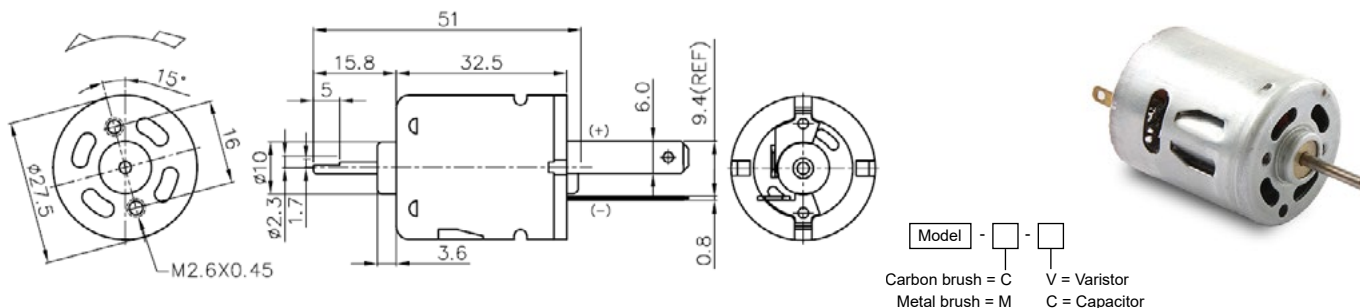


### MOTOR DATA

Part name	MD5-2554AS-AA-C	MD5-2450AS-AA-C	MD5-15120AS-AA-CV	MD5-1980AS-AA-CV
Diameter (mm)	27.5	27.5	27.5	27.5
Length (mm)	32.5	32.5	32.5	32.5
Nominal voltage (V)	12	12	24	24
Nominal speed (rpm) *	17000	17200	15100	22600
Nominal torque (mNm) *	7.2	7.6	6.5	8.7
Nominal current (A)	1.7	2.0	0.7	1.4
No load speed (rpm)	20800	22000	18800	27000
No load current (A)	0.55	0.60	0.24	0.40
Stall torque (mNm)	39.2	35.3	33.3	46.1
Starting current (A)	7.7	7.4	2.9	5.9
Output (W)	13	14	10	21
Efficiency (%)	62	56	62	61
Operating temperature (°C)	-10..+60	-10..+60	-10..+60	-10..+60

(\*) Nominal speed and nominal torque have a tolerance of  $\pm 15\%$

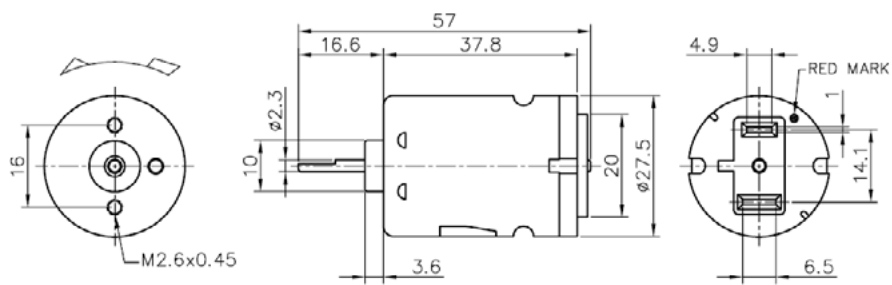
## M\_5-BB series / Ø 27.5mm / 4.2 - 12W



### MOTOR DATA

Part name	MD5-2445AS-BB-C	MD5-2554AS-BB-C
Diameter (mm)	27.5	27.5
Length (mm)	32.5	32.5
Nominal voltage (V)	6	12
Nominal speed (rpm) *	9300	17000
Nominal torque (mNm) *	4.4	7.2
Nominal current (A)	1.4	1.7
No load speed (rpm)	12000	20800
No load current (A)	0.55	0.55
Stall torque (mNm)	19.6	39.2
Starting current (A)	4.6	7.7
Output (W)	4.2	12
Efficiency (%)	50	62
Operating temperature (°C)	-10..+60	-10..+60

(\*) Nominal speed and nominal torque have a tolerance of  $\pm 15\%$



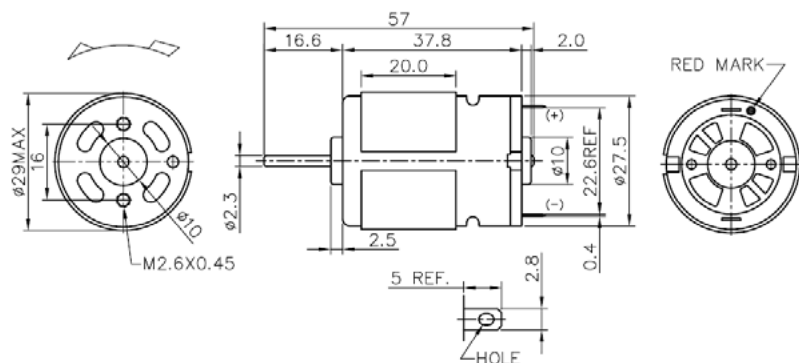
Model -  -   
 Carbon brush = C      V = Varistor  
 Metal brush = M      C = Capacitor

**MOTOR DATA**

Part name	LD5-3033AS-DD-C
Diameter (mm)	27.5
Length (mm)	37.8
Nominal voltage (V)	12
Nominal speed (rpm) *	19800
Nominal torque (mNm) *	9.1
Nominal current (A)	2.6
No load speed (rpm)	25800
No load current (A)	0.70
Stall torque (mNm)	43.1
Starting current (A)	10.4
Output (W)	19
Efficiency (%)	62
Operating temperature (°C)	-10..+60

(\*) Nominal speed and nominal torque have a tolerance of ± 15%

## L\_3N series / Ø 29mm / 0.7 - 8.9W



Model -  -

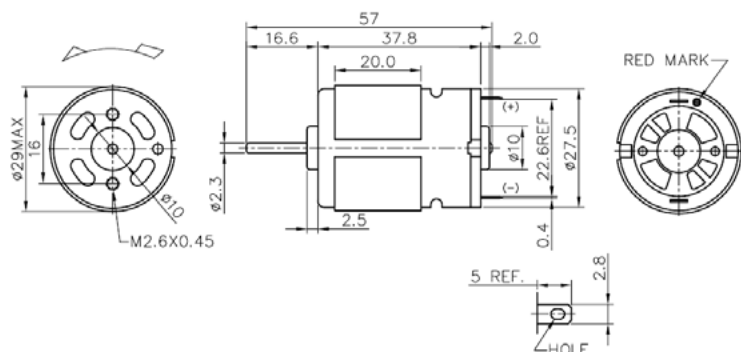
Carbon brush = C      V = Varistor  
Metal brush = M      C = Capacitor

### MOTOR DATA

Part name	LP3N-18200-CVC	LS3N-3558-CVC	LS3N-2870-CVC	LP3N-14350-CVC
Diameter (mm)	29	29	29	29
Length (mm)	37.8	37.8	37.8	37.8
Nominal voltage (V)	6	6	7.2	12
Nominal speed (rpm) *	2400	8800	8400	2600
Nominal torque (mNm) *	2.8	9.6	9.2	5.2
Nominal current (A)	0.2	2.2	1.7	0.2
No load speed (rpm)	3000	10500	10400	3200
No load current (A)	0.08	0.40	0.32	0.06
Stall torque (mNm)	19.1	65.5	51.0	25.8
Starting current (A)	1.1	12.6	7.9	0.8
Output (W)	0.7	8.9	8.3	1.4
Efficiency (%)	61	68	66	57
Operating temperature (°C)	-10..+60	-10..+60	-10..+60	-10..+60

(\*) Nominal speed and nominal torque have a tolerance of  $\pm 15\%$

## L\_5N series / Ø 29mm / 1.4 - 8.9W



Model -  -

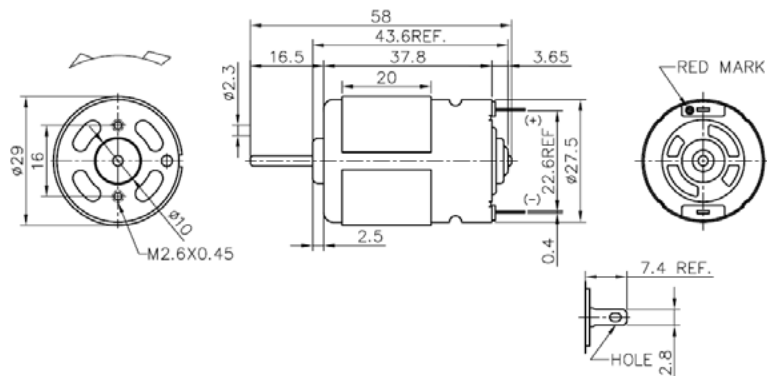
Carbon brush = C      V = Varistor  
Metal brush = M      C = Capacitor

### MOTOR DATA

Part name	LS3N-3558-CVC	LS3N-2870-CVC	LP3N-14350-CVC	LP5N-2268-CVC
Diameter (mm)	29	29	29	29
Length (mm)	37.8	37.8	37.8	37.8
Nominal voltage (V)	6	7.2	12	12
Nominal speed (rpm) *	8800	8400	2600	7100
Nominal torque (mNm) *	9.6	9.2	5.2	9.1
Nominal current (A)	2.2	1.7	0.2	0.9
No load speed (rpm)	10500	10400	3200	8600
No load current (A)	0.40	0.32	0.06	0.14
Stall torque (mNm)	65.5	51.0	25.8	54.9
Starting current (A)	12.6	7.9	0.8	4.4
Output (W)	8.9	8.3	1.4	6.9
Efficiency (%)	68	66	57	65
Operating temperature (°C)	-10..+60	-10..+60	-10..+60	-10..+60

(\*) Nominal speed and nominal torque have a tolerance of  $\pm 15\%$

## L\_3FN series / Ø 29mm / 0.7 - 28W



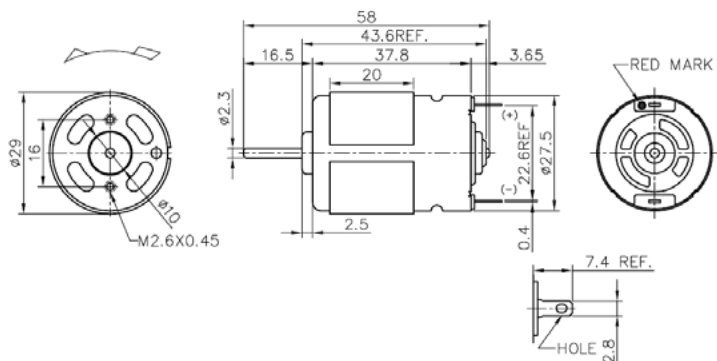
Model -  -   
 Carbon brush = C      V = Varistor  
 Metal brush = M      C = Capacitor

### MOTOR DATA

Part name	LD3FN-5015-CC	LS3FN-12300-CVC	LS3FN-14280-CVC	LD3FN-26110-CVC
Diameter (mm)	29	29	29	29
Length (mm)	37.8	37.8	37.8	37.8
Nominal voltage (V)	4	9.6	12	18
Nominal speed (rpm) *	19900	2300	3400	12800
Nominal torque (mNm) *	13.2	3.0	4.1	14.6
Nominal current (A)	10.8	0.2	0.2	1.6
No load speed (rpm)	25000	3100	4300	15000
No load current (A)	2.10	0.06	0.07	0.22
Stall torque (mNm)	61.5	13.3	23.8	102.9
Starting current (A)	41.9	0.5	1.0	9.9
Output (W)	28	0.7	1.5	20
Efficiency (%)	65	49	57	69
Operating temperature (°C)	-10..+60	-10..+60	-10..+60	-10..+60

(\*) Nominal speed and nominal torque have a tolerance of ± 15%

## L\_5FN series / Ø 29mm / 1.7 - 24W



Model -  -   
 Carbon brush = C      V = Varistor  
 Metal brush = M      C = Capacitor

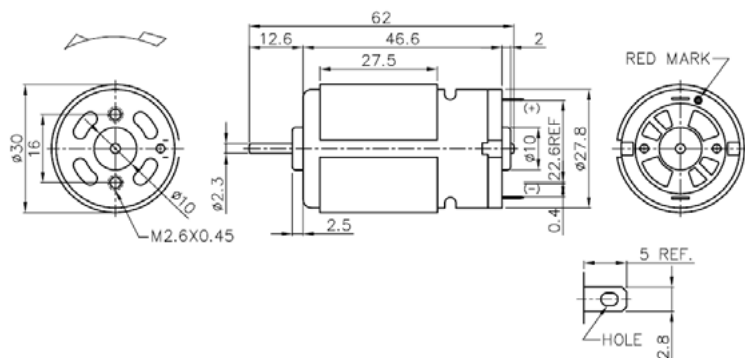
### MOTOR DATA

Part name	LS5FN-3019-CVC	LS5FN-15145-CVC	LS5FN-3035-CC	LS5FN-16120-CVC
Diameter (mm)	29	29	29	29
Length (mm)	37.8	37.8	37.8	37.8
Nominal voltage (V)	2.4	12	12	24
Nominal speed (rpm) *	4900	3407	14600	8200
Nominal torque (mNm) *	4.4	4.8	15.6	8.0
Nominal current (A)	1.8	0.3	2.9	0.5
No load speed (rpm)	6500	4300	17500	9700
No load current (A)	0.50	0.06	0.50	0.08
Stall torque (mNm)	20.8	25.0	84.7	55.9
Starting current (A)	6.7	1.0	13.5	2.6
Output (W)	2.3	1.7	24	7
Efficiency (%)	53	66	68	66
Operating temperature (°C)	-10..+60	-10..+60	-10..+60	-10..+60

(\*) Nominal speed and nominal torque have a tolerance of ± 15%



## J\_3 series / Ø 30mm / 1.5 - 39W



Model -  -

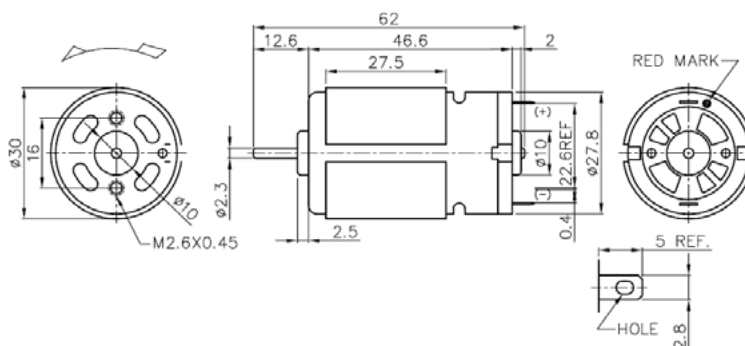
Carbon brush = C      V = Varistor  
Metal brush = M      C = Capacitor

### MOTOR DATA

Part name	JD3-5520-CC	JD3-4532-CC	JD3-14260-CVC	JD3-24135-CVC
Diameter (mm)	30	30	30	30
Length (mm)	46.6	46.6	46.6	46.6
Nominal voltage (V)	7.2	9.6	12	12
Nominal speed (rpm) *	19500	16800	2300	10661
Nominal torque (mNm) *	18.7	23.9	6.3	15.7
Nominal current (A)	8.2	5.6	0.2	2.0
No load speed (rpm)	23500	20000	3000	12500
No load current (A)	1.50	0.80	0.06	0.35
Stall torque (mNm)	119.0	162.9	32.8	121.6
Starting current (A)	42.5	36.4	0.9	13.3
Output (W)	38	39	1.5	18
Efficiency (%)	66	72	60	77
Operating temperature (°C)	-10..+60	-10..+60	-10..+60	-10..+60

(\*) Nominal speed and nominal torque have a tolerance of  $\pm 15\%$

## J\_5 series / Ø 30mm / 7.2 - 19W



Model -  -

Carbon brush = C      V = Varistor  
Metal brush = M      C = Capacitor

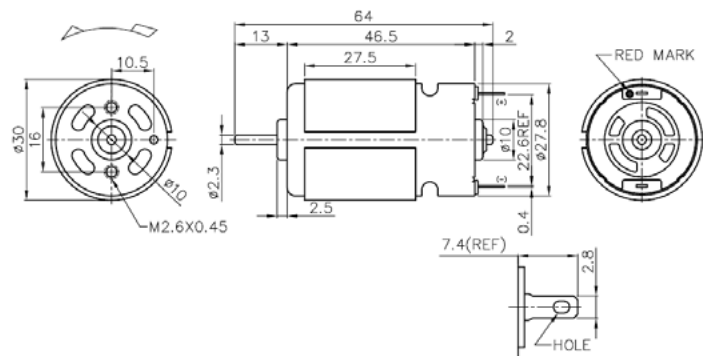
### MOTOR DATA

Part name	JD5-14200-CVC	JD5-3723-CVC	JD5-2655-CVC	JD5-18115-CVC
Diameter (mm)	30	30	30	30
Length (mm)	46.5	46.6	46.6	46.6
Nominal voltage (V)	3.6	6	12	24
Nominal speed (rpm) *	16340	7500	5900	6262
Nominal torque (mNm) *	11.1	13.3	12.1	11.0
Nominal current (A)	8.9	2.5	0.9	0.4
No load speed (rpm)	20000	9000	7200	7200
No load current (A)	2.00	0.45	0.15	0.09
Stall torque (mNm)	61.4	93.5	78.3	88.0
Starting current (A)	40.1	15.0	4.8	2.8
Output (W)	19	11	7.5	7.2
Efficiency (%)	59	72	73	74
Operating temperature (°C)	-10..+60	-10..+60	-10..+60	-10..+60

(\*) Nominal speed and nominal torque have a tolerance of  $\pm 15\%$



## J\_3FN series / Ø 30mm / 38 - 52W



Model -  -

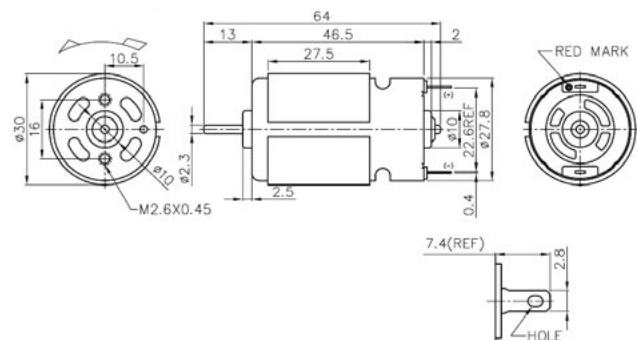
Carbon brush = C      V = Varistor  
Metal brush = M      C = Capacitor

### MOTOR DATA

Part name	JD3FN-5518-CC	JD3FN-5025-CC
Diameter (mm)	30	30
Length (mm)	46.5	46.5
Nominal voltage (V)	6	9.6
Nominal speed (rpm) *	17600	21800
Nominal torque (mNm) *	20.5	22.6
Nominal current (A)	8.8	7.8
No load speed (rpm)	20800	25500
No load current (A)	1.20	1.40
Stall torque (mNm)	134.4	164.0
Starting current (A)	50.8	47.8
Output (W)	38	52
Efficiency (%)	72	70
Operating temperature (°C)	-10..+60	-10..+60

(\*) Nominal speed and nominal torque have a tolerance of  $\pm 15\%$

## J\_5FN series / Ø 30mm / 2.6 - 25W



Model -  -

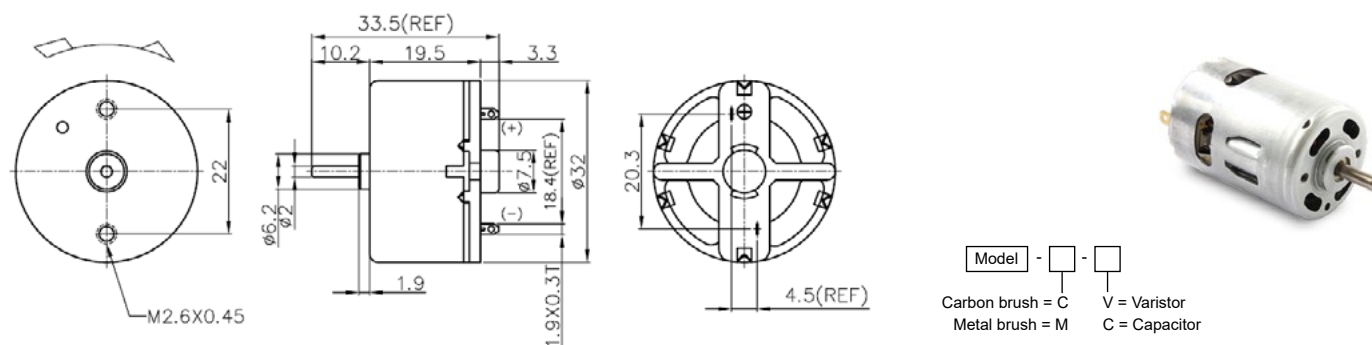
Carbon brush = C      V = Varistor  
Metal brush = M      C = Capacitor

### MOTOR DATA

Part name	JD5FN-3230-CVC	JC5FN-2655-CVC	JD5FN-14180-CVC	JD5FN-2466-CVC
Diameter (mm)	30	30	30	30
Length (mm)	46.5	46.5	46.5	46.5
Nominal voltage (V)	6	12	24	30
Nominal speed (rpm) *	5600	5700	3900	13900
Nominal torque (mNm) *	10.3	14.8	6.2	17.0
Nominal current (A)	1.46	1.0	0.1	1.1
No load speed (rpm)	6400	6700	4200	15700
No load current (A)	0.25	0.16	0.06	0.18
Stall torque (mNm)	68.6	106.3	60.6	162.3
Starting current (A)	8.4	6.3	1.2	9.1
Output (W)	6.1	8.9	2.6	25
Efficiency (%)	70	71	77	77
Operating temperature (°C)	-10..+60	-10..+60	-10..+60	-10..+60

(\*) Nominal speed and nominal torque have a tolerance of  $\pm 15\%$

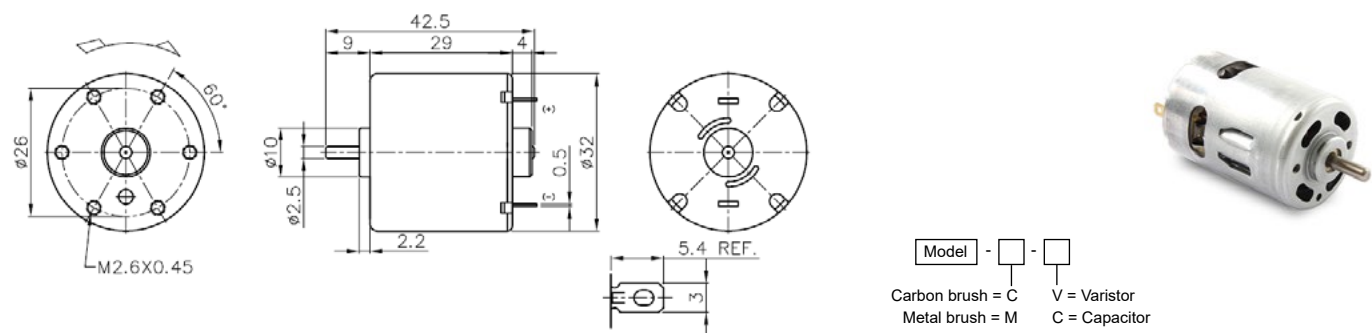
## RF-500 series / Ø 32mm / 0.5 - 1.0W



MOTOR DATA			
Part name	RF-500TB-14415-MV	RF-500TB-18280-MV	RF-500TB-12560-MV
Diameter (mm)	32	32	32
Length (mm)	19.5	19.5	19.5
Nominal voltage (V)	6	6	12
Nominal speed (rpm) *	3000	4400	4600
Nominal torque (mNm) *	1.5	2.2	1.8
Nominal current (A)	0.1	0.3	0.1
No load speed (rpm)	3700	5600	5600
No load current (A)	0.04	0.07	0.03
Stall torque (mNm)	8.4	12.3	11.8
Starting current (A)	0.6	1.3	0.6
Output (W)	0.5	1.0	0.9
Efficiency (%)	62	61	67
Operating temperature (°C)	-10..+60	-10..+60	-10..+60

(\*) Nominal speed and nominal torque have a tolerance of ± 15%

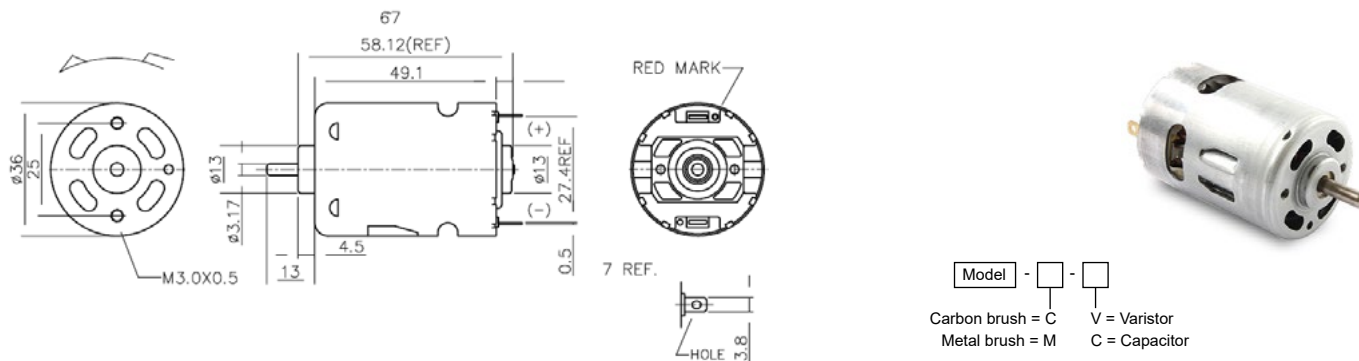
## GR series / Ø 32mm / 2.8 - 3.2W



MOTOR DATA				
Part name	GR-3548-CVC	GR-24130-CVC	GR-18260-CVC	GR-12530-CVC
Diameter (mm)	26	26	26	26
Length (mm)	29	29	29	29
Nominal voltage (V)	2.4	6	12	24
Nominal speed (rpm) *	5000	5100	5100	5000
Nominal torque (mNm) *	5.4	5.3	5.9	6.1
Nominal current (A)	2.2	0.8	0.5	0.2
No load speed (rpm)	6400	6200	6200	6200
No load current (A)	0.60	0.20	0.12	0.06
Stall torque (mNm)	24.5	31.4	33.3	31.4
Starting current (A)	7.7	3.5	2.2	0.9
Output (W)	2.8	2.9	3.1	3.2
Efficiency (%)	54	61	56	62
Operating temperature (°C)	-10..+60	-10..+60	-10..+60	-10..+60

(\*) Nominal speed and nominal torque have a tolerance of ± 15%

# H\_3SFN series / Ø 36mm / 3.3 - 67W

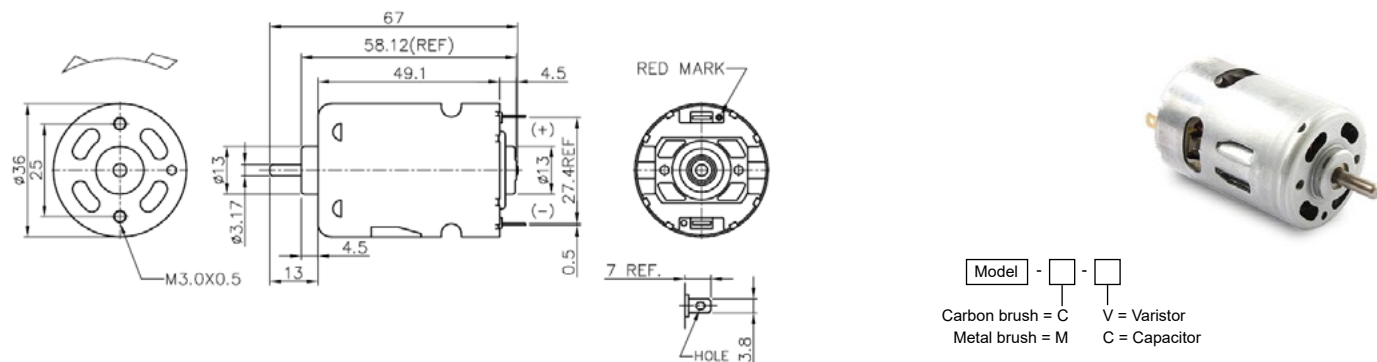


Model -  -   
 Carbon brush = C      V = Varistor  
 Metal brush = M      C = Capacitor

MOTOR DATA				
Part name	HS3SFN-7523-CC	HD3SFN-6040-CC	HS3SFN-22240-CVC	HD3SFN-6035-CC
Diameter (mm)	36	36	36	36
Length (mm)	49.1	49.1	49.1	49.1
Nominal voltage (V)	4.8	6	12	12
Nominal speed (rpm) *	11600	7300	2600	17200
Nominal torque (mNm) *	23.9	32.0	12.3	37.3
Nominal current (A)	9.1	5.9	0.4	8.3
No load speed (rpm)	14000	8600	3100	20500
No load current (A)	1.80	1.00	0.12	1.00
Stall torque (mNm)	165.2	232.8	77.5	286.3
Starting current (A)	53.8	38.7	2.3	56.3
Output (W)	29	25	3.3	67
Efficiency (%)	68	70	62	68
Operating temperature (°C)	-10..+60	-10..+60	-10..+60	-10..+60

(\*) Nominal speed and nominal torque have a tolerance of ± 15%

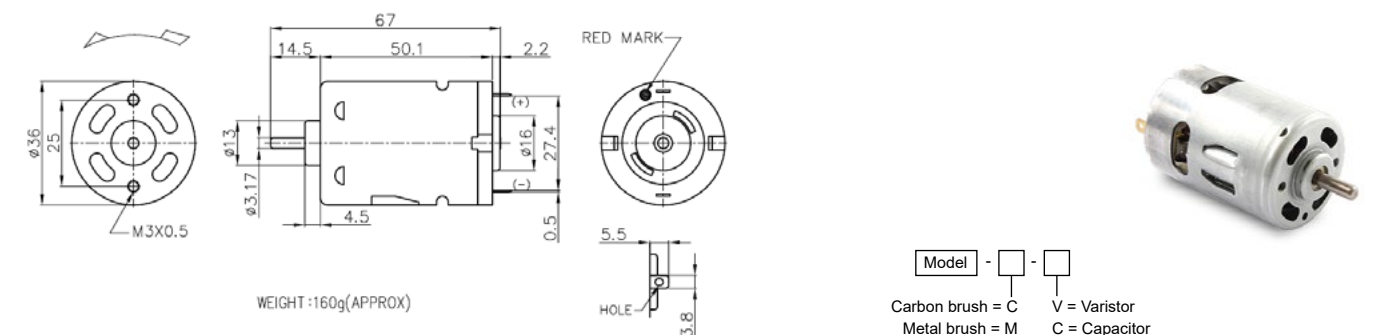
## H\_5FN series / Ø 36mm / 2.8 - 28W



MOTOR DATA				
Part name	HS5FN-19130-CVC	HP5FN-3250-CVC	HD5FN-2485-CVC	HP5FN-2670-CVC
Diameter (mm)	36	36	36	36
Length (mm)	49.1	49.1	49.1	49.1
Nominal voltage (V)	12	12	24	24
Nominal speed (rpm) *	2100	6200	7900	8600
Nominal torque (mNm) *	12.4	21.5	22.2	30.5
Nominal current (A)	0.4	1.8	1.1	1.9
No load speed (rpm)	2800	7400	9700	10600
No load current (A)	0.10	0.32	0.26	0.70
Stall torque (mNm)	57.8	142.3	152.3	170.5
Starting current (A)	1.7	9.8	6.2	9.1
Output (W)	2.8	14	18	28
Efficiency (%)	54	66	71	60
Operating temperature (°C)	-10..+60	-10..+60	-10..+60	-10..+60

(\*) Nominal speed and nominal torque have a tolerance of  $\pm 15\%$

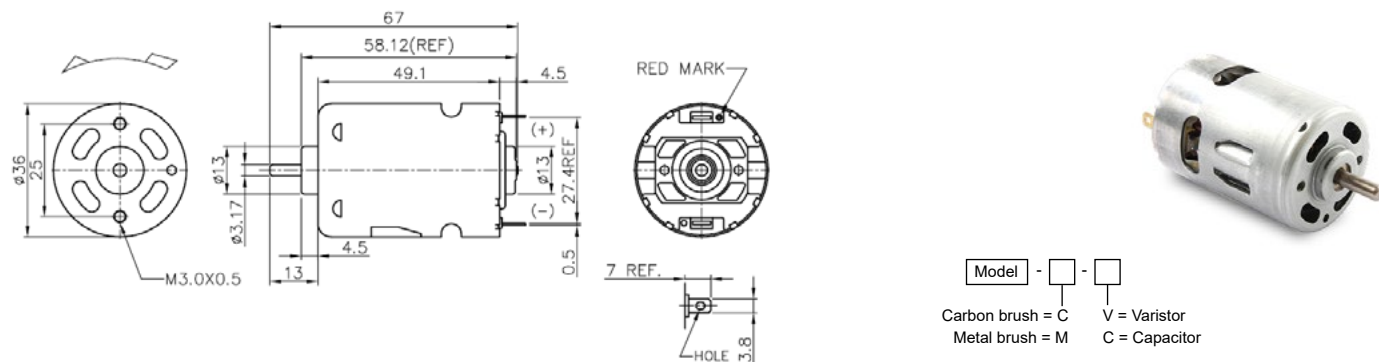
## H\_3SN series / Ø 36mm / 3.8 - 44W



MOTOR DATA				
Part name	HS3SN-22240-CVC	HP3SN-26135-CVC	HS3SN-4070-CVC	HP3SN-5048-CVC
Diameter (mm)	36	36	36	36
Length (mm)	50.1	50.1	50.1	50.1
Nominal voltage (V)	12	12	12	12
Nominal speed (rpm) *	2300	4400	9300	13800
Nominal torque (mNm) *	15.9	16.0	23.0	30.6
Nominal current (A)	0.6	1.0	2.9	5.4
No load speed (rpm)	3000	5400	11000	16200
No load current (A)	0.11	0.20	0.50	0.86
Stall torque (mNm)	68.1	106.0	154.9	214.3
Starting current (A)	2.1	5.4	16.5	32.6
Output (W)	3.8	8	23	44
Efficiency (%)	58	65	65	69
Operating temperature (°C)	-10..+60	-10..+60	-10..+60	-10..+60

(\*) Nominal speed and nominal torque have a tolerance of  $\pm 15\%$

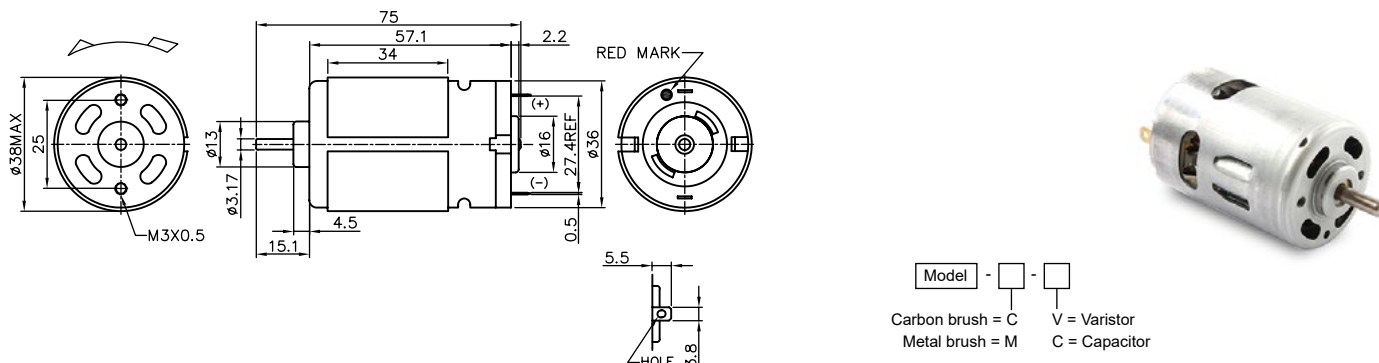
## H\_5N series / Ø 36mm / 3.2 - 13W



MOTOR DATA				
Part name	HS5FN-19130-CVC	HP5FN-3250-CVC	HD5FN-2485-CVC	HP5FN-2670-CVC
Diameter (mm)	36	36	36	36
Length (mm)	49.1	49.1	49.1	49.1
Nominal voltage (V)	12	12	24	24
Nominal speed (rpm) *	2100	6200	7900	8600
Nominal torque (mNm) *	12.4	21.5	22.2	30.5
Nominal current (A)	0.4	1.8	1.1	1.9
No load speed (rpm)	2800	7400	9700	10600
No load current (A)	0.10	0.32	0.26	0.70
Stall torque (mNm)	57.8	142.3	152.3	170.5
Starting current (A)	1.7	9.8	6.2	9.1
Output (W)	2.8	14	18	28
Efficiency (%)	54	66	71	60
Operating temperature (°C)	-10..+60	-10..+60	-10..+60	-10..+60

(\*) Nominal speed and nominal torque have a tolerance of  $\pm 15\%$

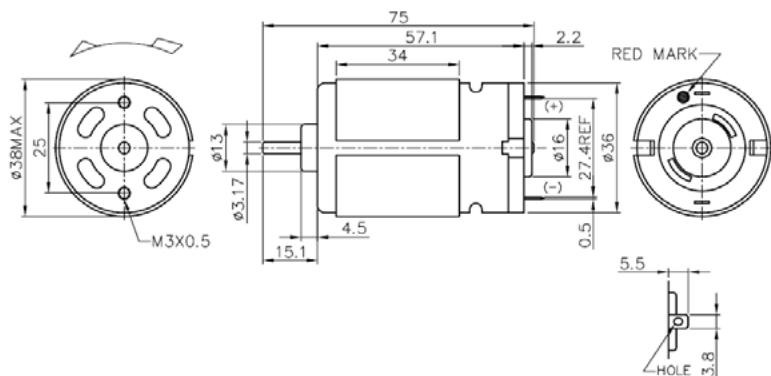
## K\_3N series / Ø 38mm / 9.5 - 51W



MOTOR DATA				
Part name	KP3N-7521-CC	KP3N-35110-CVC	KS3N-30100-CVC	KS3N-4553-CVC
Diameter (mm)	38	38	38	38
Length (mm)	57.1	57.1	57.1	57.1
Nominal voltage (V)	7.2	12	12	12
Nominal speed (rpm) *	12700	3800	4300	8400
Nominal torque (mNm) *	38.2	23.7	23.0	34.6
Nominal current (A)	9.9	1.1	1.3	3.6
No load speed (rpm)	14500	4500	5200	10200
No load current (A)	1.50	0.15	0.30	0.60
Stall torque (mNm)	353.7	198.0	147.1	246.4
Starting current (A)	79.8	8.3	7.2	22.7
Output (W)	51	9.6	11	31
Efficiency (%)	72	71	65	72
Operating temperature (°C)	-10..+60	-10..+60	-10..+60	-10..+60

(\*) Nominal speed and nominal torque have a tolerance of  $\pm 15\%$

## K\_5N series / Ø 38mm / 5.4 - 15W

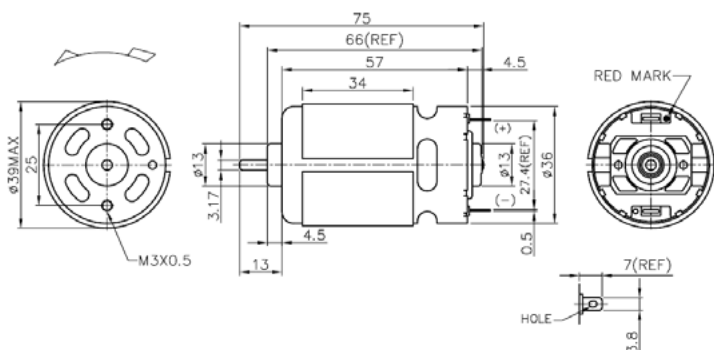


Model -  -   
 Carbon brush = C      V = Varistor  
 Metal brush = M      C = Capacitor

MOTOR DATA				
Part name	KD5N-4525-CVC	KP5N-18150-CVC	KS5N-18130-CVC	KP5N-3732-CVC
Diameter (mm)	38	38	38	38
Length (mm)	57	57.1	57.1	57.1
Nominal voltage (V)	6	24	24	12
Nominal speed (rpm) *	4300	3000	3300	7200
Nominal torque (mNm) *	24.5	20.7	15.3	20.3
Nominal current (A)	2.7	0.4	0.4	1.8
No load speed (rpm)	5500	3700	4000	8400
No load current (A)	0.70	0.95	0.09	0.28
Stall torque (mNm)	133.3	119.0	110.0	180.1
Starting current (A)	12.5	2.0	2.1	13.8
Output (W)	11	6.6	5.4	15
Efficiency (%)	69	69	65	71
Operating temperature (°C)	-10..+60	-10..+60	-10..+60	-10..+60

(\*) Nominal speed and nominal torque have a tolerance of  $\pm 15\%$

## K\_3SFN series / Ø 39mm / 46 - 95W

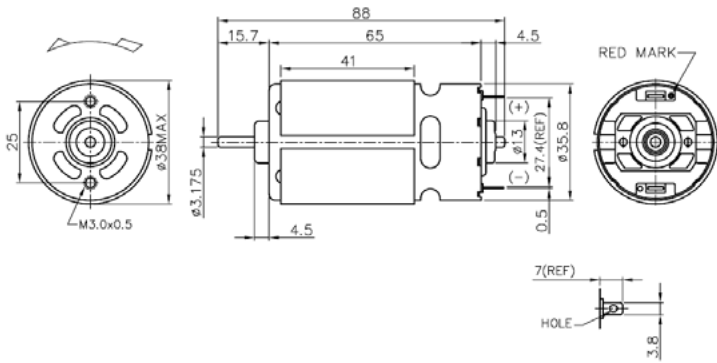


Model -  -   
 Carbon brush = C      V = Varistor  
 Metal brush = M      C = Capacitor

MOTOR DATA				
Part name	KD3SFN-8518-CC	KS3SFN-7520F-CC	KP3SFN-8020F-CC	KV3SFN-7525F-CC
Diameter (mm)	39	39	39	39
Length (mm)	57	57	57	57
Nominal voltage (V)	6	7.2	7.2	12
Nominal speed (rpm) *	12000	12300	12400	15800
Nominal torque (mNm) *	36.1	41.5	40.1	57.3
Nominal current (A)	10.2	10.4	9.6	9.8
No load speed (rpm)	13000	15000	14400	17600
No load current (A)	6.00	1.30	1.50	1.20
Stall torque (mNm)	391.2	277.5	343.7	527.5
Starting current (A)	95.2	60.4	71.5	82.5
Output (W)	46	54	52	95
Efficiency (%)	75	72	76	81
Operating temperature (°C)	-10..+60	-10..+60	-10..+60	-10..+60

(\*) Nominal speed and nominal torque have a tolerance of  $\pm 15\%$

## N3\_SFN series / Ø 38mm / 19 - 95W



Model -  -

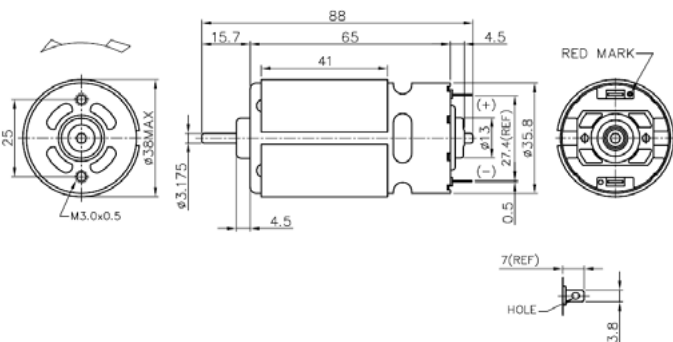
Carbon brush = C      V = Varistor  
Metal brush = M      C = Capacitor

### MOTOR DATA

Part name	ND3SFN-4570-CVC	ND3SFN-4565-CVC	NC3SFN-6035-CVC	KV3SFN-7525F-CC
Diameter (mm)	38	38	38	39
Length (mm)	65	65	65	57
Nominal voltage (V)	12	12	12	12
Nominal speed (rpm) *	5400	5800	10700	15800
Nominal torque (mNm) *	33.5	36.0	45.6	57.3
Nominal current (A)	2.2	2.6	5.6	9.8
No load speed (rpm)	6200	6700	12000	17600
No load current (A)	0.30	0.50	1.00	1.20
Stall torque (mNm)	297.5	287.0	446.8	527.5
Starting current (A)	17.0	17.9	51.4	82.5
Output (W)	19	22	52	95
Efficiency (%)	74	71	76	81
Operating temperature (°C)	-10..+60	-10..+60	-10..+60	-10..+60

(\*) Nominal speed and nominal torque have a tolerance of  $\pm 15\%$

## N\_5FN series / Ø 39mm / 46 - 95W



Model -  -

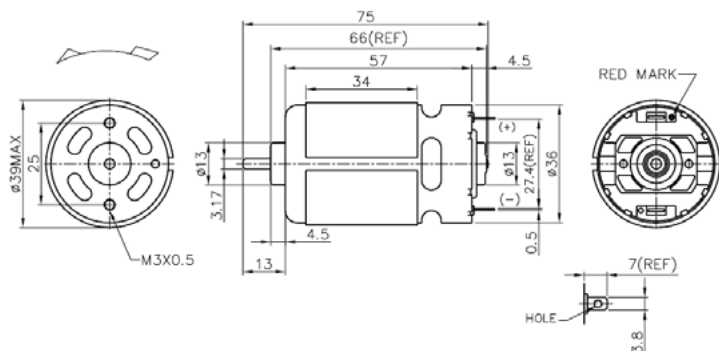
Carbon brush = C      V = Varistor  
Metal brush = M      C = Capacitor

### MOTOR DATA

Part name	NC5FN-3550-CVC	ND5FN-16190-CVC	ND5FN-3738-CVC	NC5FN-3545-CVC
Diameter (mm)	38	38	38	38
Length (mm)	65	65	65	65
Nominal voltage (V)	12	24	24	36
Nominal speed (rpm) *	3700	2300	10900	14300
Nominal torque (mNm) *	30.7	11.7	44.3	40.7
Nominal current (A)	1.4	2.2	2.6	2.1
No load speed (rpm)	4400	2750	12300	15600
No load current (A)	0.25	0.04	0.40	0.30
Stall torque (mNm)	217.1	86.2	413.7	448.8
Starting current (A)	8.5	1.1	22.7	21.9
Output (W)	12.03	2.87	50.89	21.85
Efficiency (%)	72	70	77	80
Operating temperature (°C)	-10..+60	-10..+60	-10..+60	-10..+60

(\*) Nominal speed and nominal torque have a tolerance of  $\pm 15\%$





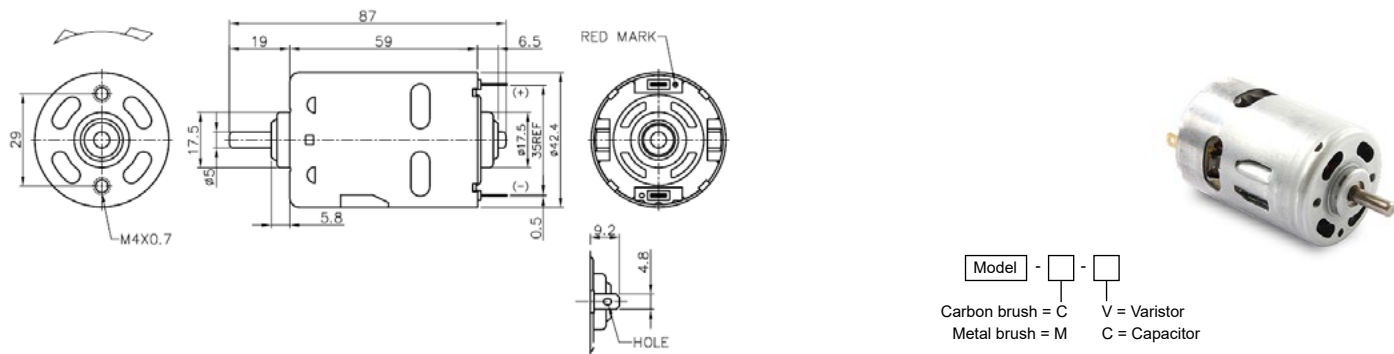
Model -  -   
 Carbon brush = C      V = Varistor  
 Metal brush = M      C = Capacitor

MOTOR DATA			
Part name	KS5FN-2462-CVC	KC5FN-5021F-CC	KP5FN-22105-CVC
Diameter (mm)	39	39	39
Length (mm)	57	57	57
Nominal voltage (V)	12	24	28
Nominal speed (rpm) *	3100	20800	5200
Nominal torque (mNm) *	13.9	53.4	23.5
Nominal current (A)	0.6	7.1	0.7
No load speed (rpm)	4000	22800	6200
No load current (A)	0.15	1.30	0.12
Stall torque (mNm)	76.9	514.7	179.8
Starting current (A)	2.8	57.3	4.1
Output (W)	4.6	116	13
Efficiency (%)	63	71	73
Operating temperature (°C)	-10..+60	-10..+60	-10..+60

(\*) Nominal speed and nominal torque have a tolerance of ± 15%



## 750 series / Ø 42.4mm / 11 - 107W



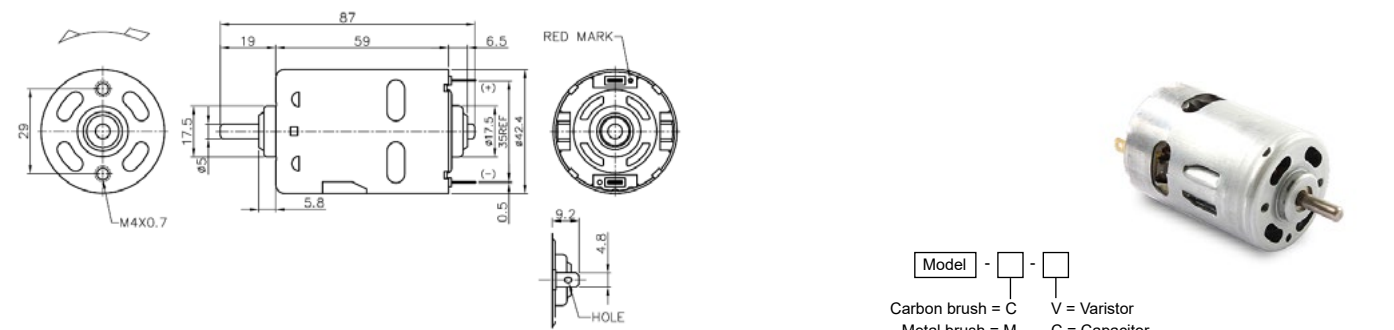
Model -  -   
 Carbon brush = C      V = Varistor  
 Metal brush = M      C = Capacitor

### MOTOR DATA

Part name	750-32160-C	750-4570-C	750-8028-C	750-9013-C
Diameter (mm)	42.4	42.4	42.4	42.4
Length (mm)	59	59	59	59
Nominal voltage (V)	12	12	12	6
Nominal speed (rpm) *	2600	6300	15500	16800
Nominal torque (mNm) *	37.9	51.9	66.0	46.7
Nominal current (A)	1.4	4.3	12.8	19.3
No load speed (rpm)	3200	7500	18800	19000
No load current (A)	0.36	0.75	2.60	4.00
Stall torque (mNm)	209.8	305.9	480.4	342.2
Starting current (A)	6.1	22.5	92.1	112.2
Output (W)	11	35	107	83
Efficiency (%)	65	69	70	72
Operating temperature (°C)	-10..+60	-10..+60	-10..+60	-10..+60

(\*) Nominal speed and nominal torque have a tolerance of ± 15%

## 755 series / Ø 42.4mm / 14 - 144W



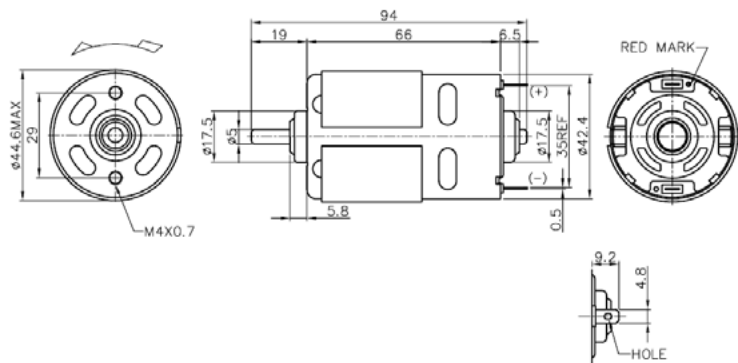
Model -  -   
 Carbon brush = C      V = Varistor  
 Metal brush = M      C = Capacitor

### MOTOR DATA

Part name	755-8512F-C	755-5027F-C	755-3262-C	755-19175-C
Diameter (mm)	42.4	42.4	42.4	42.4
Length (mm)	59	59	59	59
Nominal voltage (V)	9.6	12	24	36
Nominal speed (rpm) *	14000	8400	7400	3900
Nominal torque (mNm) *	98.2	45.7	43.3	33.6
Nominal current (A)	19.8	4.9	2.1	0.6
No load speed (rpm)	16700	10000	8900	4800
No load current (A)	2.80	1.40	0.45	0.18
Stall torque (mNm)	635.3	319.4	301.9	183.3
Starting current (A)	112.6	29.3	12.2	2.7
Output (W)	144	41	34	14
Efficiency (%)	76	71	70	64
Operating temperature (°C)	-10..+60	-10..+60	-10..+60	-10..+60

(\*) Nominal speed and nominal torque have a tolerance of ± 15%

## 770 series / Ø 45mm / 21 - 114W



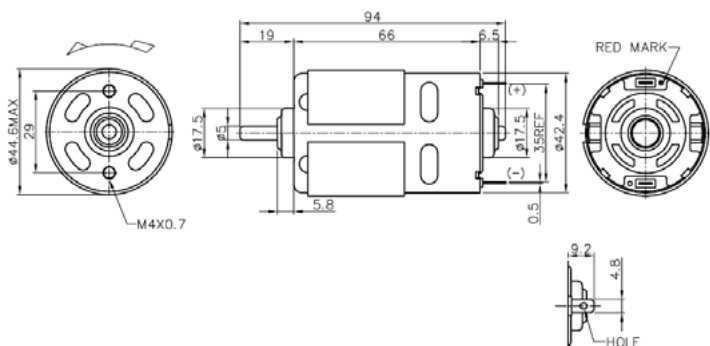
Model -  -   
 Carbon brush = C      V = Varistor  
 Metal brush = M      C = Capacitor

### MOTOR DATA

Part name	770-4087-CC	770-7040-CC	770-8525F-CC	770-32165-CC
Diameter (mm)	45	45	45	45
Length (mm)	66	66	66	66
Nominal voltage (V)	12	12	12	24
Nominal speed (rpm) *	3500	8400	13500	3900
Nominal torque (mNm) *	56.1	59.3	80.3	52.9
Nominal current (A)	2.8	6.0	12.1	1.3
No load speed (rpm)	4550	9700	16000	4650
No load current (A)	0.60	1.30	1.80	0.22
Stall torque (mNm)	334.1	595.7	587.9	397.1
Starting current (A)	14.1	56.9	83.0	8.6
Output (W)	21	53	114	22
Efficiency (%)	63	73	79	74
Operating temperature (°C)	-10..+60	-10..+60	-10..+60	-10..+60

(\*) Nominal speed and nominal torque have a tolerance of  $\pm 15\%$

## 775 series / Ø 46mm / 103 - 198W



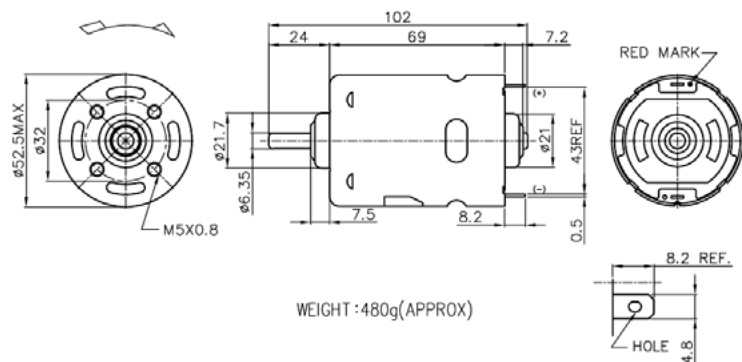
Model -  -   
 Carbon brush = C      V = Varistor  
 Metal brush = M      C = Capacitor

### MOTOR DATA

Part name	775-9008F-CC	775-9009F-C-CC	775-8013F-C-CC	775-5520F-CC
Diameter (mm)	45	45	45	45
Length (mm)	66	66	66	66
Nominal voltage (V)	7.2	12	18	24
Nominal speed (rpm) *	12300	18000	18700	18400
Nominal torque (mNm) *	80.0	102.6	100.8	94.3
Nominal current (A)	20.1	21.1	15.8	10.7
No load speed (rpm)	14600	21000	22000	21000
No load current (A)	3.20	2.80	3.00	1.70
Stall torque (mNm)	508.8	806.4	837.3	705.9
Starting current (A)	108.7	143.7	110.4	68.1
Output (W)	103	194	198	182
Efficiency (%)	72	77	70	71
Operating temperature (°C)	-10..+60	-10..+60	-10..+60	-10..+60

(\*) Nominal speed and nominal torque have a tolerance of  $\pm 15\%$

# 987 series / Ø 52mm / 35 - 112W



WEIGHT : 480g(APPROX)



Model -  -   
 Carbon brush = C      V = Varistor  
 Metal brush = M      C = Capacitor

MOTOR DATA				
Part name	987-5025F-C	987-8012F-C	987-8010F-C	987-5524F-C
Diameter (mm)	52	52	52	52
Length (mm)	69	69	69	69
Nominal voltage (V)	12	12	12	24
Nominal speed (rpm) *	4000	9000	11100	9700
Nominal torque (mNm) *	83.5	113.2	87.5	110.2
Nominal current (A)	4.8	13.1	11.9	6.3
No load speed (rpm)	5050	10800	13100	11000
No load current (A)	1.20	2.00	2.30	0.95
Stall torque (mNm)	417.6	787.3	676.4	857.5
Starting current (A)	20.3	79.6	82.5	44.6
Output (W)	35	107	102	112
Efficiency (%)	63	68	72	74
Operating temperature (°C)	-10..+60	-10..+60	-10..+60	-10..+60

(\*) Nominal speed and nominal torque have a tolerance of ± 15%