

## **TUBULAR SOLENOIDS** | Ø 11 - 38.1 mm 0.57 - 2.1 N

### **PULL TYPE**

We offer a broad range of high quality tubular solenoids in standard and customized configurations. Our customer-centric approach makes us the ideal supplier for your project, especially to instrument and apparatus builders. In addition, we offer immediate delivery, thanks to always having a high number of motors in stock.

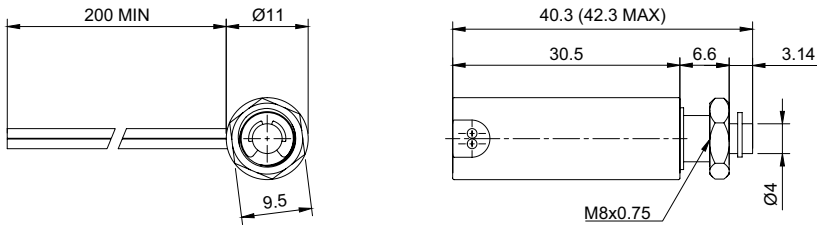
#### **Customizations include:**

- ✓ Customized harness
- ✓ Winding configuration
- ✓ Shaft configuration
- ✓ And more...

# TABLE OF CONTENTS

MODEL	DIAMETER MM	LENGTH MM	INDIVIDUAL VOLTAGES V	LOADING FORCE N	PAGE
T1130L	11	30.5	6 to 76	0.57	<a href="#">1</a>
T1325L	12.7	26.2	6 to 76	0.22	<a href="#">2</a>
T1632L	16	32	6 to 76	0.69	<a href="#">3</a>
T1939L	20.2	39.3	6 to 76	0.47	<a href="#">4</a>
T2551L	25.4	50.8	6 to 76	2.1	<a href="#">5</a>
T3257L	31.8	57.5	6 to 76	2.1	<a href="#">6</a>
T3864L	38.1	64	6 to 76	-	<a href="#">7</a>

## DRAWING (mm)



## PHOTO



## MODEL NO. DESIGNATION

T1130L - VOLTAGE

Example: T1130L-06V

## ACCESSORIES

● C = customizations are offered on demand even for smaller quantities. Typical customizations are indicated with a green dot at column end. Please contact us for any customization request.

## SOLENOID DATA

SOLENOID DATA					C
Duty cycle	%	100	50	25	10
Power	W	4	8	16	40
Max. time in energized state	s	∞	50	5	2

## PERFORMANCE DATA T1130L-06V

PERFORMANCE DATA T1130L-06V					C
Duty cycle	%	100	50	25	10
Individual voltages	V	6	8.5	12	19
Resistance	Ω	9			

## PERFORMANCE DATA T1130L-12V

PERFORMANCE DATA T1130L-12V					C
Duty cycle	%	100	50	25	10
Individual voltages	V	12	17	24	38
Resistance	Ω	36			

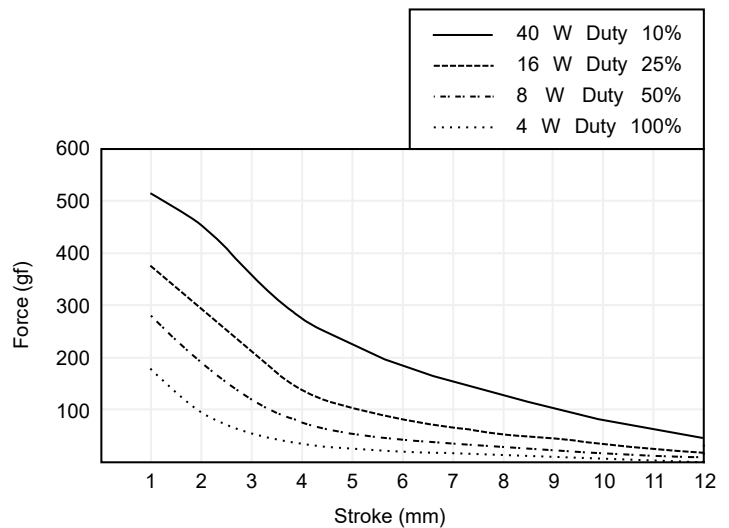
## PERFORMANCE DATA T1130L-24V

PERFORMANCE DATA T1130L-24V					C
Duty cycle	%	100	50	25	10
Individual voltages	V	24	34	48	76
Resistance	Ω	140			

## SOLENOID FEATURES AND STANDARD DATA

SOLENOID FEATURES AND STANDARD DATA			C
Type	Pull type DC solenoid		●
Nominal voltage range <sup>1</sup>	V	6 to 24	●
Loading force <sup>2</sup>	N	0.57	
Cable	Flying wires		●
Cable length	mm	230	
Service life	At least 500000 single strokes		
Return spring	Yes		
Plunger material	Carbon steel 12L14		
IP rating	IP50		
Insulation class	B		
Weight	g	17	
Operating temperature	°C	-5 to 40	
Manufacturing standard	ISO9001   TS 16949		
CE label   UL label	No   No		

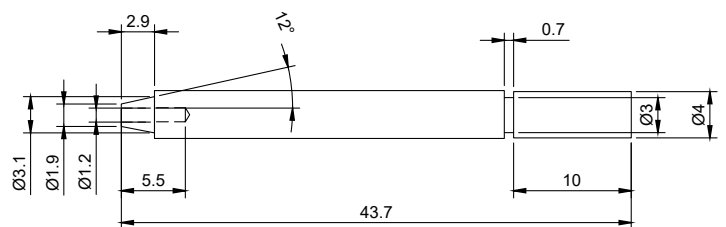
## PERFORMANCE GRAPH



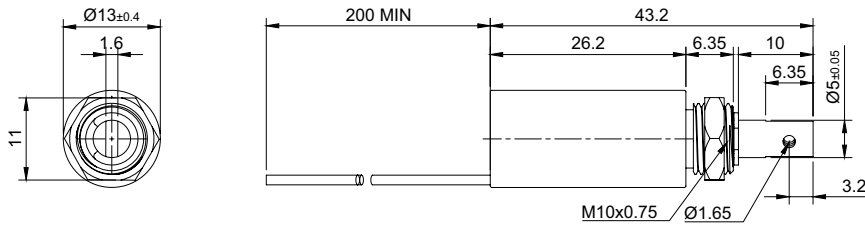
## NOTES

- Nominal voltages, 100 % duty cycle.
- At 3 mm compression.

## PLUNGER PROFILE



### DRAWING (mm)



### PHOTO



### MODEL NO. DESIGNATION

T1325L - VOLTAGE

Example: T1325L-06V

### ACCESSORIES

● C = customizations are offered on demand even for smaller quantities. Typical customizations are indicated with a green dot at column end. Please contact us for any customization request.

SOLENOID DATA					C
Duty cycle	%	100	50	25	10
Power	W	4	8	16	40
Max. time in energized state	s	∞	50	5	2

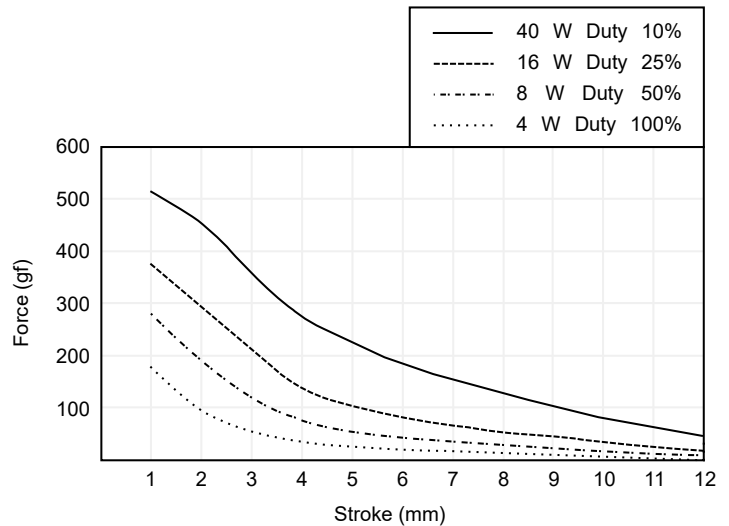
PERFORMANCE DATA T1325L-06V					C
Duty cycle	%	100	50	25	10
Individual voltages	V	6	8.5	12	19
Resistance	Ω	9			

PERFORMANCE DATA T1325L-12V					C
Duty cycle	%	100	50	25	10
Individual voltages	V	12	17	24	38
Resistance	Ω	36			

PERFORMANCE DATA T1325L-24V					C
Duty cycle	%	100	50	25	10
Individual voltages	V	24	34	48	76
Resistance	Ω	140			

SOLENOID FEATURES AND STANDARD DATA			C
Type	Pull type DC solenoid		●
Nominal voltage range <sup>1</sup>	V	6 to 24	●
Loading force <sup>2</sup>	N	0.22	
Cable	Flying wire		●
Cable length	mm	230	
Service life	At least 500000 single strokes		
Return spring	Yes		
Plunger material	Carbon steel 12L14		
IP rating	IP50		
Insulation class	B		
Weight	g	23	
Operating temperature	°C	-5 to 40	
Manufacturing standard	ISO9001   TS 16949		
CE label   UL label	No   No		

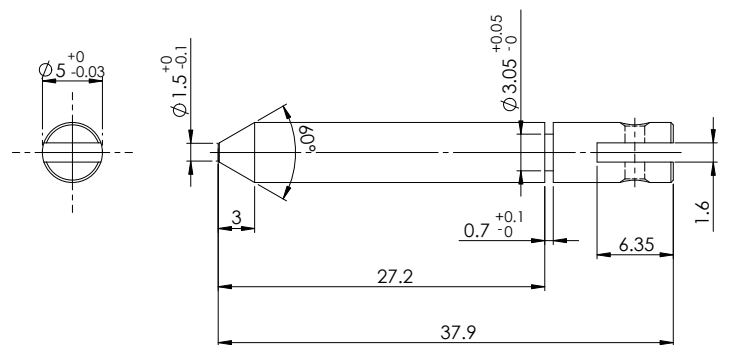
### PERFORMANCE GRAPH



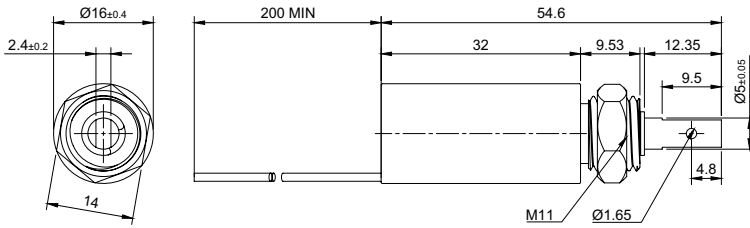
### NOTES

- Nominal voltages, 100 % duty cycle.
- At 3 mm compression.

### PLUNGER PROFILE



### DRAWING (mm)



### PHOTO



### MODEL NO. DESIGNATION

T1632L - VOLTAGE

Example: T1632L-06V

### ACCESSORIES

● C = customizations are offered on demand even for smaller quantities. Typical customizations are indicated with a green dot at column end. Please contact us for any customization request.

### SOLENOID DATA

	%	100	50	25	10
Duty cycle	%	100	50	25	10
Power	W	5.5	11	22	55
Max. time in energized state	s	∞	230	25	6

### PERFORMANCE DATA T1632L-06V

	%	100	50	25	10
Duty cycle	%	100	50	25	10
Individual voltages	V	6	8.5	12	19
Resistance	Ω	6.5			

### PERFORMANCE DATA T1632L-12V

	%	100	50	25	10
Duty cycle	%	100	50	25	10
Individual voltages	V	12	17	24	38
Resistance	Ω	26			

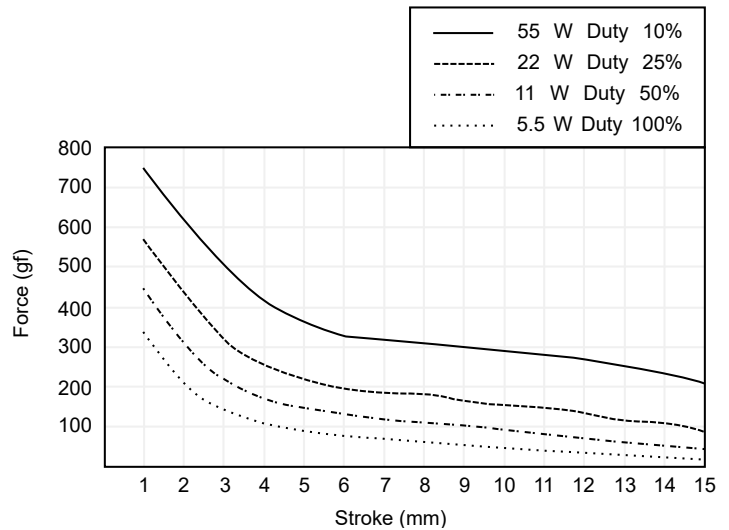
### PERFORMANCE DATA T1632L-24V

	%	100	50	25	10
Duty cycle	%	100	50	25	10
Individual voltages	V	24	34	48	76
Resistance	Ω	100			

### SOLENOID FEATURES AND STANDARD DATA

Type	Pull type DC solenoid	
Nominal voltage range <sup>1</sup>	V	6 to 24
Loading force <sup>2</sup>	N	0.69
Cable	Flying wire	
Cable length	mm	230
Service life	At least 500000 single strokes	
Return spring	Yes	
Plunger material	Carbon steel 12L14	
IP rating	IP50	
Insulation class	B	
Weight	g	47
Operating temperature	°C	-5 to 40
Manufacturing standard	ISO9001   TS 16949	
CE label   UL label	No   No	

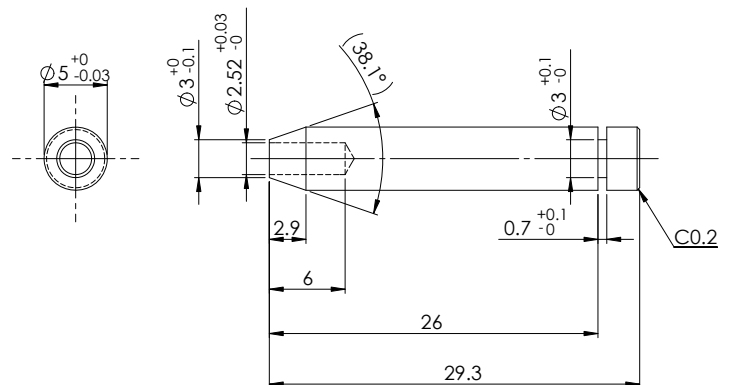
### PERFORMANCE GRAPH



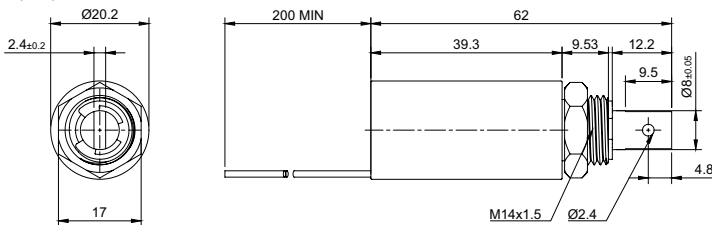
### NOTES

- Nominal voltages, 100 % duty cycle.
- At 3 mm compression.

### PLUNGER PROFILE



## DRAWING (mm)



## PHOTO



## MODEL NO. DESIGNATION

T1939L - VOLTAGE

Example: T1939L-06V

## ACCESSORIES

● C = customizations are offered on demand even for smaller quantities. Typical customizations are indicated with a green dot at column end. Please contact us for any customization request.

## SOLENOID DATA

SOLENOID DATA					C
Duty cycle	%	100	50	25	10
Power	W	7	14	28	70
Max. time in energized state	s	∞	230	25	6

## PERFORMANCE DATA T1939L-06V

PERFORMANCE DATA T1939L-06V					C
Duty cycle	%	100	25	10	
Individual voltages	V	6	8.5	12	19
Resistance	Ω	5.1			

## PERFORMANCE DATA T1939L-12V

PERFORMANCE DATA T1939L-12V					C
Duty cycle	%	100	50	25	10
Individual voltages	V	12	17	24	38
Resistance	Ω	21			

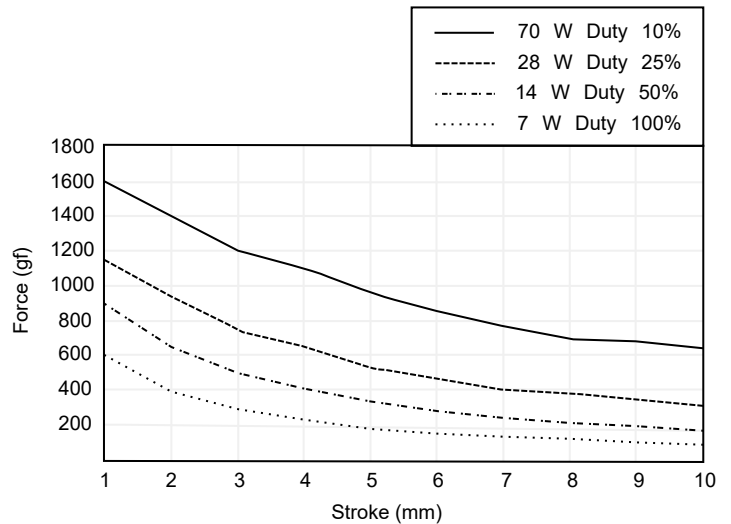
## PERFORMANCE DATA T1939L-24V

PERFORMANCE DATA T1939L-24V					C
Duty cycle	%	100	50	25	10
Individual voltages	V	24	34	48	76
Resistance	Ω	82			

## SOLENOID FEATURES AND STANDARD DATA

SOLENOID FEATURES AND STANDARD DATA			C
Type	Pull type DC solenoid		●
Nominal voltage range <sup>1</sup>	V	6 to 24	●
Loading force <sup>2</sup>	N	0.47	
Cable	Flying wire		●
Cable length	mm	230	
Service life	At least 500000 single strokes		
Return spring	Yes		
Plunger material	Carbon steel 12L14		
IP rating	IP50		
Insulation class	B		
Weight	g	82	
Operating temperature	°C	-5 to 40	
Manufacturing standard	ISO9001   TS 16949		
CE label   UL label	No   No		

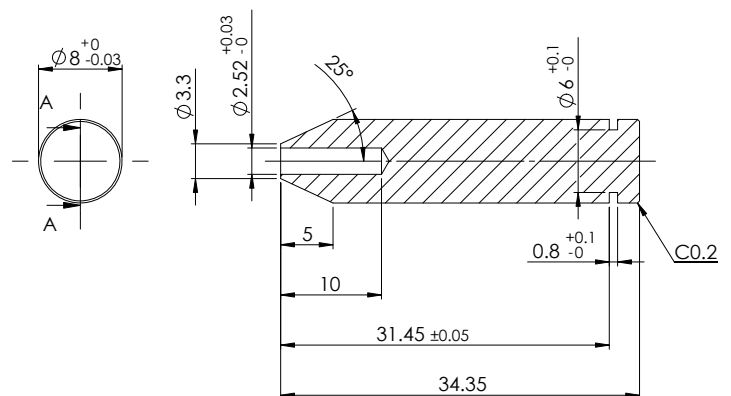
## PERFORMANCE GRAPH



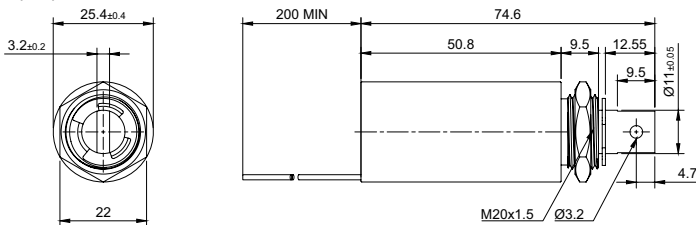
## NOTES

1. Nominal voltages, 100 % duty cycle.
2. At 3 mm compression.

## PLUNGER PROFILE



## DRAWING (mm)



## PHOTO



## MODEL NO. DESIGNATION

T2551L - VOLTAGE

Example: T2551L-06V

## ACCESSORIES

● C = customizations are offered on demand even for smaller quantities. Typical customizations are indicated with a green dot at column end. Please contact us for any customization request.

## SOLENOID DATA

	%	100	50	25	10	C
Duty cycle	%	100	50	25	10	
Power	W	10	20	40	100	
Max. time in energized state	s	∞	360	32	8	

## PERFORMANCE DATA T2551L-06V

	%	100	50	25	10	C
Duty cycle	%	100	50	25	10	
Individual voltages	V	6	8.5	12	19	
Resistance	Ω	3.6				

## PERFORMANCE DATA T2551L-12V

	%	100	50	25	10	C
Duty cycle	%	100	50	25	10	
Individual voltages	V	12	17	24	38	
Resistance	Ω	14				

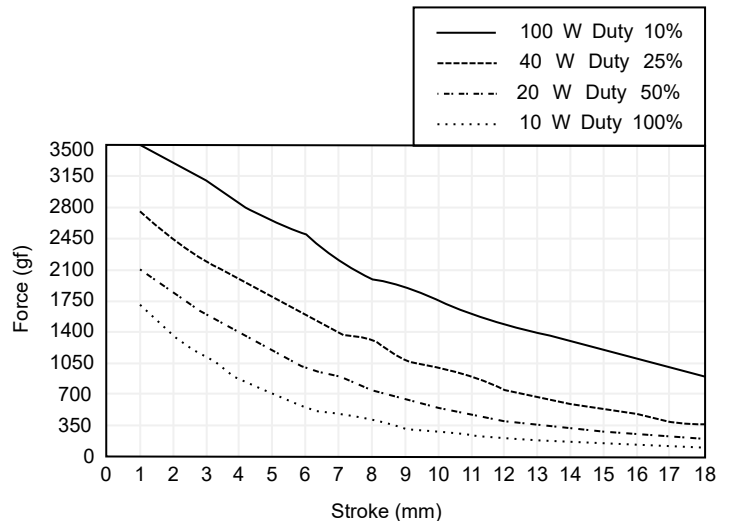
## PERFORMANCE DATA T2551L-24V

	%	100	50	25	10	C
Duty cycle	%	100	50	25	10	
Individual voltages	V	24	34	48	76	
Resistance	Ω	58				

## SOLENOID FEATURES AND STANDARD DATA

			C
Type	Pull type DC solenoid		●
Nominal voltage range <sup>1</sup>	V	6 to 24	●
Loading force <sup>2</sup>	N	2.1	
Cable	Flying wire		●
Cable length	mm	230	
Service life	At least 500000 single strokes		
Return spring	Yes		
Plunger material	Carbon steel 12L14		
IP rating	IP50		
Insulation class	B		
Weight	g	180	
Operating temperature	°C	-5 to 40	
Manufacturing standard	ISO9001:2008   TS 16949:2002		
CE label   UL label	No   No		

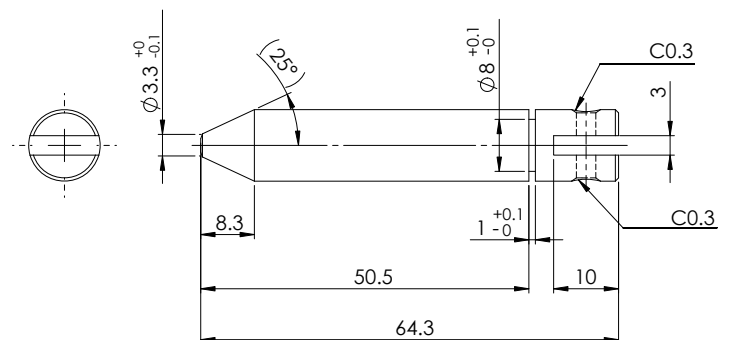
## PERFORMANCE GRAPH



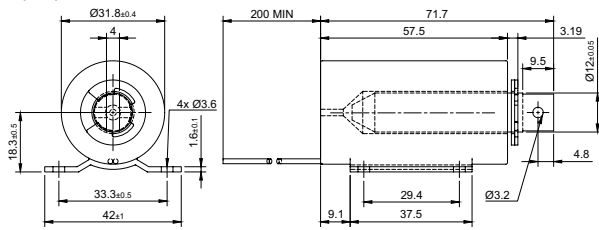
## NOTES

- Nominal voltages, 100 % duty cycle.
- At 3 mm compression.

## PLUNGER PROFILE



## DRAWING (mm)



## PHOTO



## MODEL NO. DESIGNATION

T3257L - VOLTAGE

Example: T3257L-06V

## ACCESSORIES

● C = customizations are offered on demand even for smaller quantities. Typical customizations are indicated with a green dot at column end. Please contact us for any customization request.

## SOLENOID DATA

SOLENOID DATA					C
Duty cycle	%	100	50	25	10
Power	W	13	26	52	130
Max. time in energized state	s	∞	390	60	18

## PERFORMANCE DATA T3257L-06V

PERFORMANCE DATA T3257L-06V					C
Duty cycle	%	100	25	10	
Individual voltages	V	6	8.5	12	19
Resistance	Ω	2.8			

## PERFORMANCE DATA T3257L-12V

PERFORMANCE DATA T3257L-12V					C
Duty cycle	%	100	50	25	10
Individual voltages	V	12	17	24	38
Resistance	Ω	11			

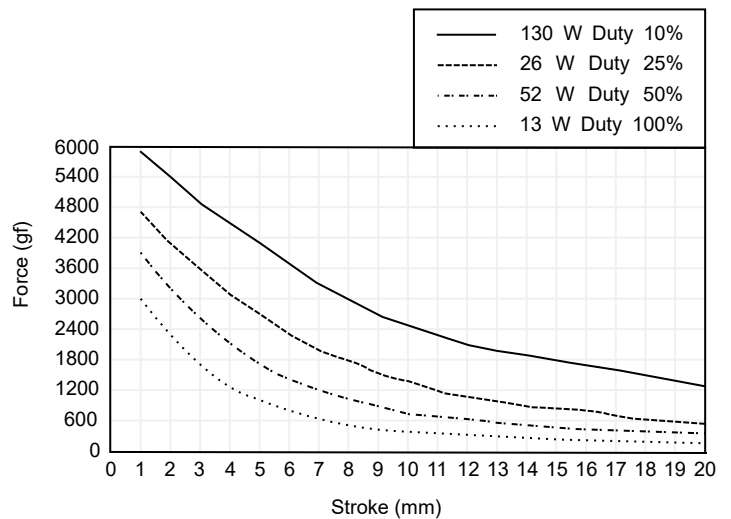
## PERFORMANCE DATA T3257L-24V

PERFORMANCE DATA T3257L-24V					C
Duty cycle	%	100	50	25	10
Individual voltages	V	24	34	48	76
Resistance	Ω	44			

## SOLENOID FEATURES AND STANDARD DATA

SOLENOID FEATURES AND STANDARD DATA			C
Type	Pull type DC solenoid		●
Nominal voltage range <sup>1</sup>	V	6 to 24	●
Loading force <sup>2</sup>	N	2.1	
Cable	Flying wire		●
Cable length	mm	230	
Service life	At least 500000 single strokes		
Return spring	Yes		
Plunger material	Carbon steel 12L14		
IP rating	IP50		
Insulation class	B		
Weight	g	300	
Operating temperature	°C	-5 to 40	
Manufacturing standard	ISO9001   TS 16949		
CE label   UL label	No   No		

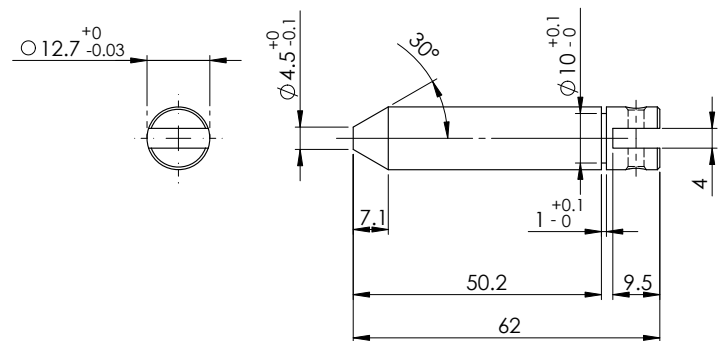
## PERFORMANCE GRAPH



## NOTES

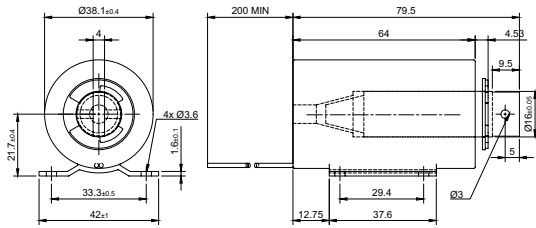
- Nominal voltages, 100 % duty cycle.
- At 3 mm compression.

## PLUNGER PROFILE





## DRAWING (mm)



## PHOTO



## MODEL NO. DESIGNATION

T3864L - VOLTAGE

Example: T3864L-06V

## ACCESSORIES

● C = customizations are offered on demand even for smaller quantities. Typical customizations are indicated with a green dot at column end. Please contact us for any customization request.

## SOLENOID DATA

SOLENOID DATA					C
Duty cycle	%	100	50	25	10
Power	W	17	34	67	170
Max. time in energized state	s	∞	420	100	25

## PERFORMANCE DATA T3864L-06V

PERFORMANCE DATA T3864L-06V					C
Duty cycle	%	100	50	25	10
Individual voltages	V	6	8.5	12	19
Resistance	Ω	2.1			

## PERFORMANCE DATA T3864L-12V

PERFORMANCE DATA T3864L-12V					C
Duty cycle	%	100	50	25	10
Individual voltages	V	12	17	24	38
Resistance	Ω	8.5			

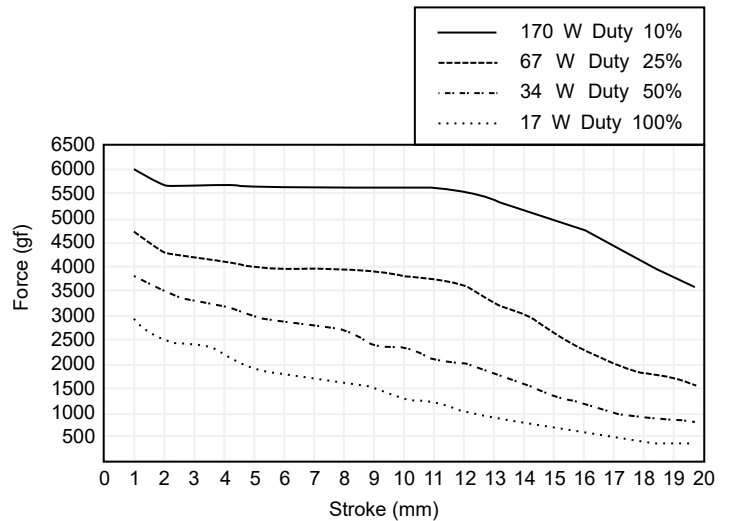
## PERFORMANCE DATA T3864L-24V

PERFORMANCE DATA T3864L-24V					C
Duty cycle	%	100	50	25	10
Individual voltages	V	24	34	48	76
Resistance	Ω	34			

## SOLENOID FEATURES AND STANDARD DATA

SOLENOID FEATURES AND STANDARD DATA			C
Type	Pull type DC solenoid		●
Nominal voltage range <sup>1</sup>	V	6 to 24	●
Loading force <sup>2</sup>	N	-	
Cable	Flying wire		●
Cable length	mm	230	
Service life	At least 500000 single strokes		
Return spring	Yes		
Plunger material	Carbon steel 12L14		
IP rating	IP50		
Insulation class	B		
Weight	g	500	
Operating temperature	°C	-5 to 40	
Manufacturing standard	ISO9001   TS 16949		
CE label   UL label	No   No		

## PERFORMANCE GRAPH



## NOTES

1. Nominal voltages, 100 % duty cycle.
2. At 3 mm compression.

## PLUNGER PROFILE

