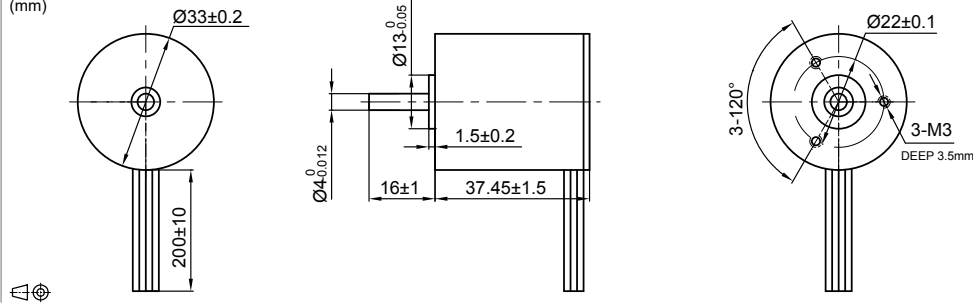


BR3337 / Ø 33mm

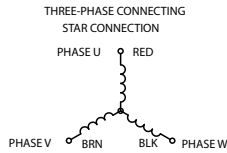
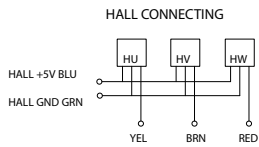
DRAWING (mm)



PHOTO



HALL CONNECTING



MODEL NO. DESIGNATION

MODEL - VOLTAGE

Example: BR3337-12

MOTOR DATA

	Units	BR3337-12	BR3337-24		Units	BR3337
Nominal voltage	V	12	24	Ambient temperature	°C	-15...+40
Nominal power	W	4	7	Max. permissible winding temperature	°C	120
No load speed	rpm	5000	4500	Max. permissible speed	rpm	15000
No load current	mA	30	30	Axial play at axial load < 3,5 N	mm	0.08
Nominal speed	rpm	3000	3000	Axial play at axial load > 3,5 N	mm	0.08
Nominal torque	mNm	26.4	26.4	Radial play	mm@g	0.02@450
Nominal current	A	0.8	1.5	Max. axial load (dynamic)	N	4.4
Stall torque	mNm	50	66	Max. force for press fits (static)	N	4.4
Max. Efficiency	%	55	56	Max. force for press fits (static, shaft supported)	N	4.4
Terminal resistance phase to phase	Ω	3.4	12.8	Max. radial loading, 10 mm from flange	N	4
Terminal inductance phase to phase	mH	1.8	7	Number of pole pairs		4
Torque constant	mNm / A	23.05	46.09	Number of phases		3
Rotor inertia	gcm ²	7.95	7.95	Weight	g	85