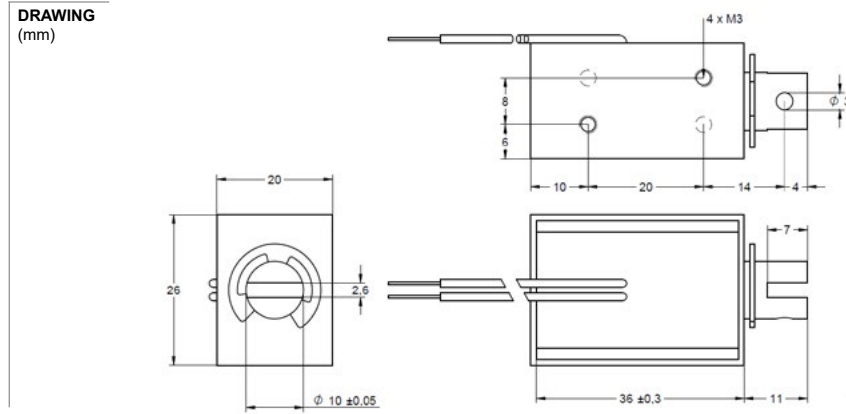


F1037L (pull type)



MODEL NO. DESIGNATION

F1037L - VOLTAGE
Example: F1037L-12V

SOLENOID DATA					
Duty cycle / ED (%) ▶	Continuous (100%)	Intermittent (50%)	Intermittent (25%)	Intermittent (10%)	
Watts @ 20°C ▶	4	8	16	40	
Maximum time in energized state (in seconds) ▶	∞	100	36	7	
Part ▼	Resistance (20°C) ± 10% (Ω) ▼	DC Volts (V) ▼			
F1037L-06V	9	6	8.5	12	19
F1037L-12V	36	12	17	24	38
F1037L-24V	144	24	34	48	76

SOLENOID FEATURES AND STANDARD DATA		
	STANDARD	CUSTOMIZATION OPTIONS
Type	Pull type DC solenoid	Push type DC solenoid
Cable	Flying wire 230mm	Length, type and connector
Voltage	6 to 24 VDC @ 100% ED	Other voltages upon request
Life time	At least 500.000 single strokes	
Plunger material	Carbon steel 12L14	
Protection class	IP00	
Insulation grade	B	
Operating temperature	-5°C ... +40°C	
Manufacturing quality standards	ISO9001:2008, ISO/TS 16949:2002	
RoHS compliance	Yes	
CE approval	No	
UL approval	No	

ADDITIONAL DATA	
Return spring	Yes
Weight	96g



DIAGRAM

