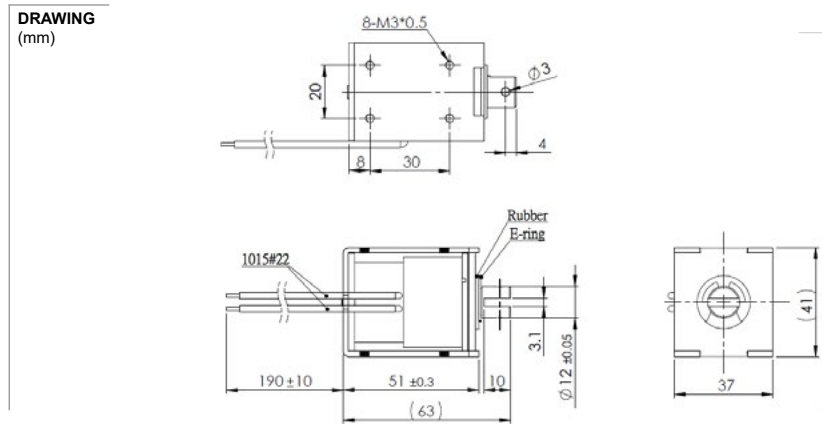


# F1250L (pull type)



**MODEL NO. DESIGNATION**

F1250L - VOLTAGE

Example: F1250L-12V

SOLENOID DATA					
<b>Duty cycle / ED (%) ▶</b>	Continuous (100%)	Intermittent (50%)	Intermittent (25%)	Intermittent (10%)	
<b>Watts @ 20°C ▶</b>	7.5	15	30	75	
<b>Maximum time in energized state (in seconds) ▶</b>	∞	140	50	9	
<b>Part ▼</b>	<b>Resistance (20°C) ± 10% (Ω) ▼</b>	<b>DC Volts (V) ▼</b>			
F1250L-06V	4.8	6	8.5	12	19
F1250L-12V	19.2	12	17	24	38
F1250L-24V	76.8	24	34	48	76

SOLENOID FEATURES AND STANDARD DATA		
	STANDARD	CUSTOMIZATION OPTIONS
Type	Pull type DC solenoid	Push type DC solenoid
Cable	Flying wire 230mm	Length, type and connector
Voltage	6 to 24 VDC @ 100% ED	Other voltages upon request
Life time	At least 500.000 single strokes	
Plunger material	Carbon steel 12L14	
Protection class	IP00	
Insulation grade	B	
Operating temperature	-5°C ... +40°C	
Manufacturing quality standards	ISO9001:2008, ISO/TS 16949:2002	
RoHS compliance	Yes	
CE approval	No	
UL approval	No	

ADDITIONAL DATA	
<b>Return spring</b>	Yes
<b>Weight</b>	315g

SPRING DATA	
<b>Loading force @ 20mm compression</b>	85 ± 10g



**DIAGRAM**

