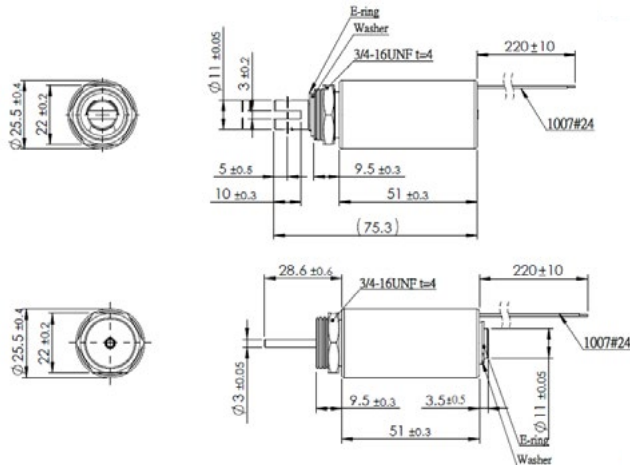


T2551L (pull type)

DRAWING (mm)



PHOTO



MODEL NO. DESIGNATION

T2551L - VOLTAGE

Example: T2551L-12V

SOLENOID DATA

Duty cycle / ED (%) ▶	Continuous (100%)	Intermittent (50%)	Intermittent (25%)	Intermittent (10%)
Watts @ 20°C ▶	10	20	40	100
Maximum time in energized state (in seconds) ▶	∞	360	32	8

Part ▼	Resistance (20°C) ± 10% (Ω) ▼		DC Volts (V) ▼		
	6V	12V	12V	24V	24V
T2551L-06V	3.6	6	8.5	12	19
T2551L-12V	14.4	12	17	24	38
T2551L-24V	57.6	24	34	48	76

SOLENOID FEATURES AND STANDARD DATA

	STANDARD	CUSTOMIZATION OPTIONS
Type	Pull type DC solenoid	Push type DC solenoid
Cable	Flying wire 230mm	Length, type and connector
Voltage	6 to 24 VDC @ 100% ED	Other voltages upon request
Life time	At least 500.000 single strokes	
Plunger material	Carbon steel 12L14	
Protection class	IP50	
Insulation grade	B	
Operating temperature	-5°C ... +40°C	
Manufacturing quality standards	ISO9001:2008, ISO/TS 16949:2002	
RoHS compliance	Yes	
CE approval	No	
UL approval	No	

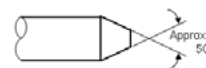
ADDITIONAL DATA

Return spring	Yes
Weight	178g

SPRING DATA

Loading force @ 2.7mm compression	210 ± 15g
-----------------------------------	-----------

PLUNGER PROFILE



DIAGRAM

